



VZ

Ductile Iron Pipe, Fittings and Accessories

Presented by
Vanzon (Sino - Hong Kong) Company Limited



Table of Contents

Vanzon Introduction	01
Normative Reference	02
Material Specification	03
Manufacturing Method	04
Lining and Coating System	06
VZ D.I. Pipe	07
VZ D.I. Fittings	10
VZ Accessories	33
VZ D.I. Fittings Job Reference	38

Vanzon Background

Established in 1993, Vanzon has been dedicated in serving Hong Kong Water Utility Sector, as we missioned to supply quality pipe and fittings to Hong Kong. Vanzon was the first in the industry to introduce China-Manufactured Lined Galvanized Pipe (LGI Pipe), this product went on to be widely adopted in Hong Kong waterwork projects to get rid of trouble from rusty water, and indirectly speeden up LGI pipe manufacturing and application in mainland China.

Vanzon is proud for providing water pipes and fittings with outstanding quality, and we are eager to corporate with our clients in tackling technical challenges regarding on material and application. The pipes, fittings and accessories provided by Vanzon are all complies to HK WSD requirements. In future, we are planning to work with more clients in different sectors, providing better quality products, benefitting more endusers.

For Enquiry, please contact
Vanzon (Sino - Hong Kong) Company Limited
Tel: 2529 6121/ 2529 6166
Fax: 2529 6323
Email: vz@vanzon.com.hk
Address: Unit 712, Block B, Po Lung Centre,
11 Wang Chiu Road, Kowloon Bay, Hong Kong

We are looking forward to your enquiry

Normative Reference

Standard	Title
BS EN 545	Ductile Iron Pipes, Fittings, Accessories and their joints for water pipelines.
BS EN 197-1	Cement: Composition, specifications and conformity criteria for common cements
BS EN 16132	Ductile Iron Pipes and fittings: Seal coats for cement mortar linings
BS EN 681-1	Material Requirements for Pipe Joints Seals used in water and drainage application - 1. Vulcanized Rubber
BS 6920	Suitability of non-metallic products for use in contact with water intended for human consumption with regard to their effect on the quality of the water
BS EN 1092 - 2	Circular flanges for pipes, valves, fittings and accessories, PN designated.
BS EN ISO 4624	Paints and varnishes - Pull-off test for adhesion
BS EN ISO 4034	Hexagon Regular Nuts - Product grade C
BS EN ISO 4016	Hexagon head bolts - Product grade C

Material Specification

Mechanical Properties

Pipes (DN 80- 2000)

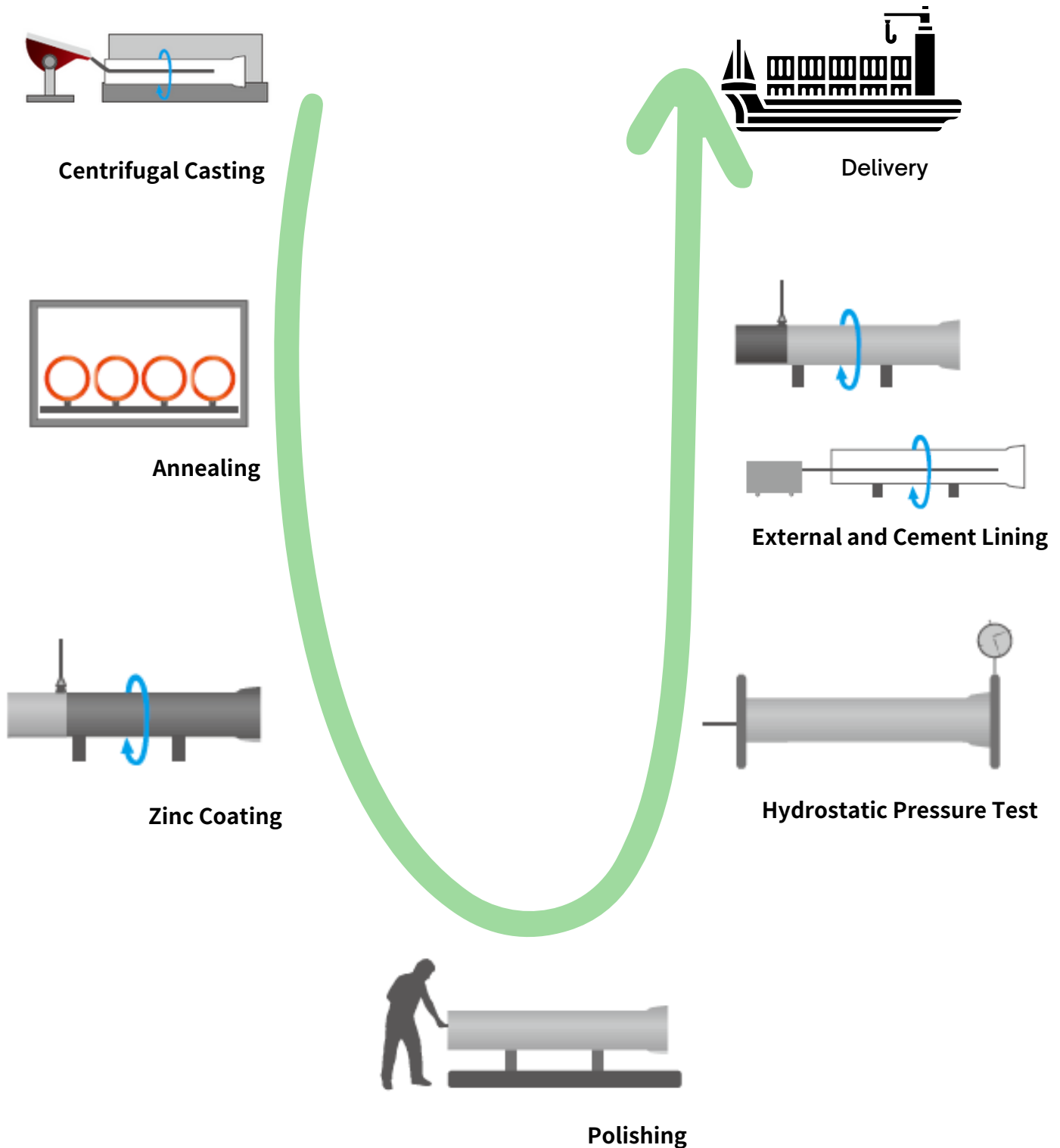
	Standard (DN 80 - 1000)	Standard (DN1100 - 2200)	Theoretical Value
Tensile Strength (MPa) [Min.]	420	420	450-470
Elongation (%) [Min.]	10	5	14-20
Brinell Hardness (HB) [Max.]	230	230	135-150

Fittings (DN 80 - 2000)

	Standard (DN80- DN2020)	Theoretical Value
Tensile Strength (MPa) [Min.]	420	455-460
Elongation (%) [Min.]	5	7-17
Brinell Hardness (HB) [Max.]	250	200

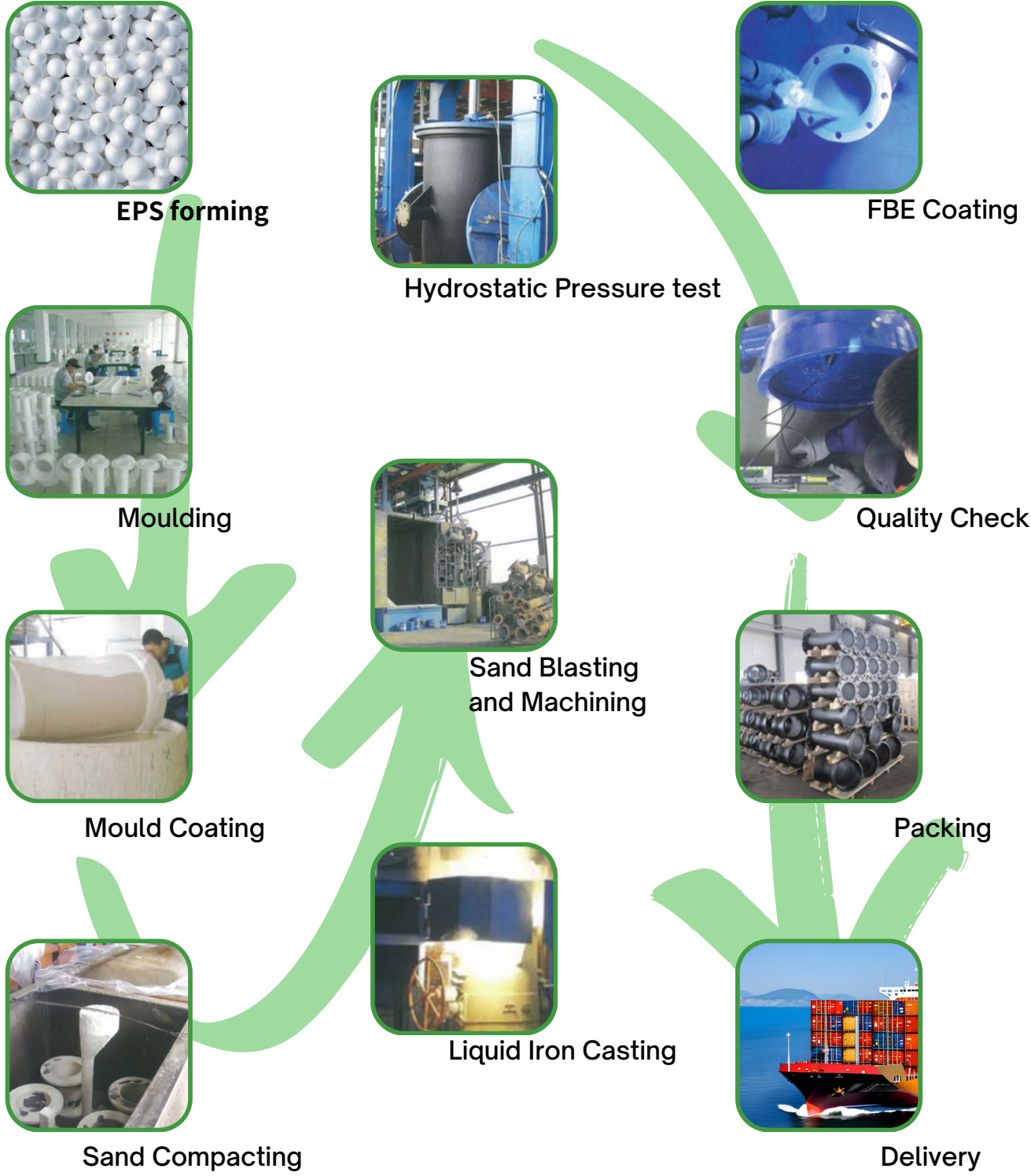
Manufacturing Process

Ductile Iron Pipe






Manufacturing Process

Ductile Iron Fittings







Lining and Coating System

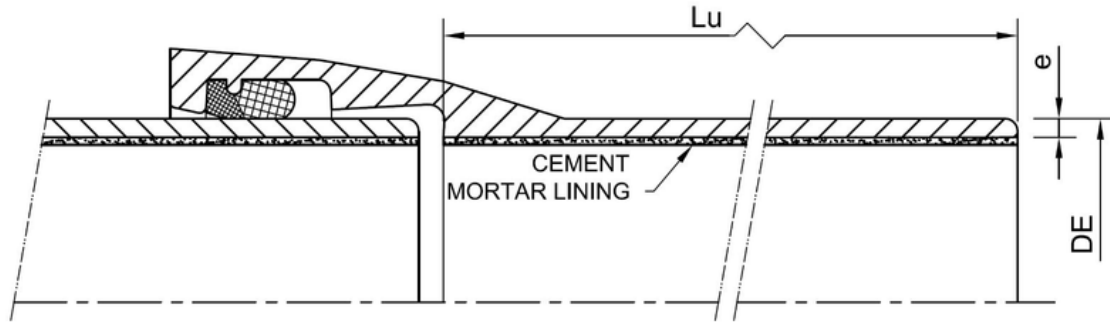
Pipes

External	Coating System (From base to surface)	
Option 1	Metallic Zinc -> Bitumous Coating	
Option 2	Metallic Zinc -> Synthetic Resin Coating	
Internal	Lining System (From base to surface)	
Option 1	Cement Mortar (SRC) -> Solvent Free Epoxy Coating	

Fittings

External	Coating System (From base to surface)	
Option 1	Fusion Bonded Epoxy Coating	
Option 2	Zinc rich Primer -> Bitumous Coating	
Internal	Lining System	
Option 1	Fusion Bonded Epoxy Coating	
Option 2	Cement Mortar	

Xinxing-Vanzon D.I. Socket and Spigot Pipe (K9)

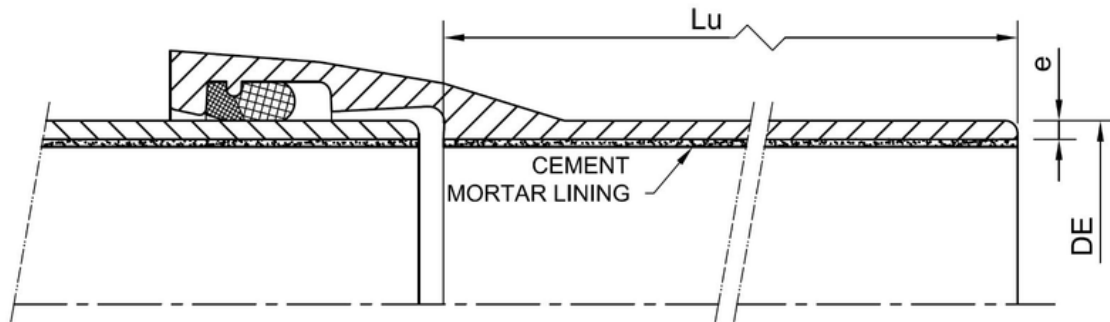


BSEN 545 Socket and Spigot Pipes K9 (Lu = 6m)

Nominal Size* (DN)	DE (mm)		e (mm)					
	Nominal	Limit Deviation	Class 30	Class 40	Class 50	Class 64	Class 100	K9 (limit)
600	635	+1/-4.0	6.7					9.9 (-1.9)
500	532	+1/-3.8	5.6					9.0 (-1.8)
450	480	+1/-3.6		6.8				8.6 (-1.8)
400	429	+1/-3.5		6.0				8.1 (-1.7)
350	378	+1/-3.4		5.3				7.7 (-1.7)
300	326	+1/-3/3		4.6				7.2 (-1.6)
250	274	+1/-3.1			4.8			6.8 (-1.6)
200	222	+1/-3.0			3.9			6.3 (-1.5)
150	170	+1/-2.9				4.0		6.0 (-1.3)
100	118	+1/-2.8					4.7	
80	98	+1/-2.7					4.7	

*Vanzon supply Pipe and fittings with DN ranged from 80 - 2000, for DN size over 600, please contact our representative for more information.

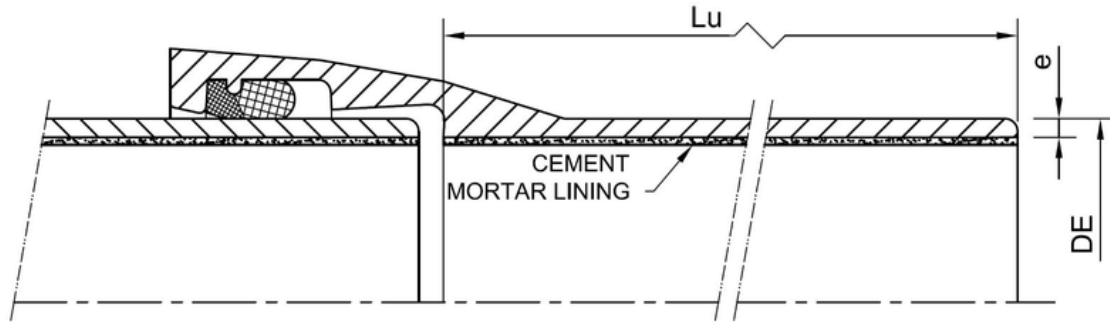
Xinxing-Vanzon D.I. Socket and Spigot Pipe (K12)



BSEN 545 Socket and Spigot Pipes K12 (Lu = 6m)								
Nominal Size* (DN)	DE (mm)		e (mm)					
	Nominal	Limit Deviation	Class 30	Class 40	Class 50	Class 64	Class 100	K12 (limit)
600	635	+1/-4.0			11.1			13.2 (-1.9)
500	532	+1/-3.8			9.3			12.0 (-1.8)
450	480	+1/-3.6			8.4			11.4 (-1.8)
400	429	+1/-3.5			7.5			10.8 (-1.7)
350	378	+1/-3.4				8.5		10.2 (-1.7)
300	326	+1/-3/3				7.3		9.6 (-1.6)
250	274	+1/-3.1				6.1		9.0 (-1.6)
200	222	+1/-3.0				5.0		8.4 (-1.5)
150	170	+1/-2.9					5.9	7.8 (-1.3)
100	118	+1/-2.8					4.7	7.2 (-1.3)
80	98	+1/-2.7					4.7	7.0 (-1.3)

*Vanzon supply Pipe and fittings with DN ranged from 80 - 2000, for DN size over 600, please contact our representative for more information.

Xinxing-Vanzon D.I. Socket and Spigot Pipe (C30/C40)

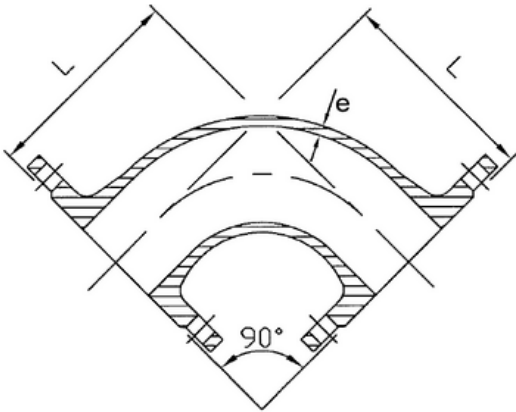


BSEN 545 Socket and Spigot Pipes C30/C40 (Lu = 6m)

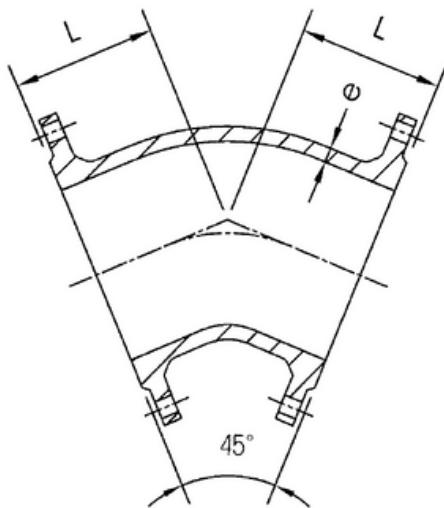
Nominal Size* (DN)	DE (mm)		e (mm)				
	Nominal	Limit Deviation	Class 30	Class 40	Class 50	Class 64	Class 100
600	635	+1/-4.0	6.7				
500	532	+1/-3.8	5.6				
450	480	+1/-3.6	5.1				
400	429	+1/-3.5	4.8				
350	378	+1/-3.4	4.7				
300	326	+1/-3/3		4.6			
250	274	+1/-3.1		3.9			
200	222	+1/-3.0		3.1			
150	170	+1/-2.9		3.0			
100	118	+1/-2.8		3.0			
80	98	+1/-2.7		3.0			

*Vanzon supply Pipe and fittings with DN ranged from 80 - 2000, for DN size over 600, please contact our representative for more information.

VZ D.I. Double Flanged Bend, PN16



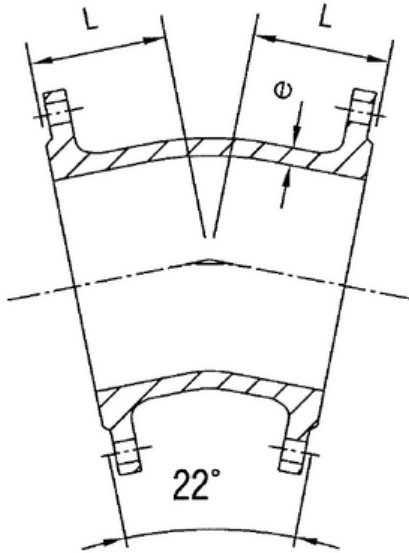
Double Flanged 90° Bend, PN16		
Nominal Size* (DN)	e (mm)	L (mm)
600	13.2	700
450	11.4	550
400	10.8	500
300	9.6	400
250	9.0	350
200	8.4	260
150	7.8	220
100	7.2	180
80	7.0	165



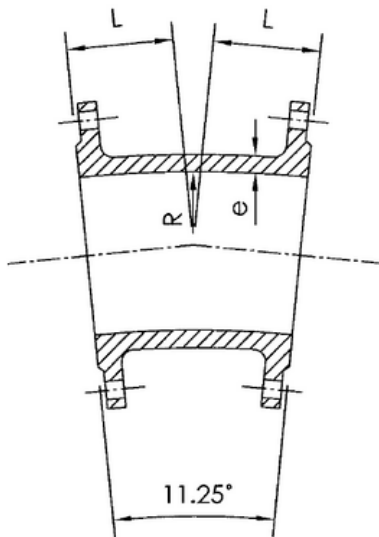
Double Flanged 45° Bend, PN16		
Nominal Size* (DN)	e (mm)	L (mm)
600	13.2	426
450	11.4	285
400	10.8	324
300	9.6	275
250	9.0	245
200	8.4	180
150	7.8	160
100	7.2	140
80	7.0	130

*Vanzon supply Pipe and fittings with DN ranged from 80 - 2000, for DN size over 600, please contact our representative for more information.

VZ D.I. Double Flanged Bend, PN16



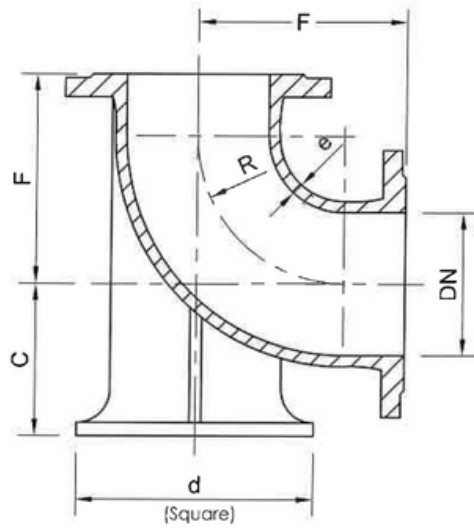
Double Flanged 22.5° Bend, PN16		
Nominal Size* (DN)	e (mm)	L (mm)
600	13.2	235
450	11.4	349
400	10.8	324
300	9.6	210
250	9.0	190
200	8.4	180
150	7.8	160
100	7.2	140
80	7.0	130



Double Flanged 11.25° Bend, PN16		
Nominal Size* (DN)	e (mm)	L (mm)
600	13.2	175
450	11.4	145
400	10.8	140
300	9.6	175
250	9.0	165
200	8.4	132
150	7.8	113
100	7.2	115
80	7.0	113

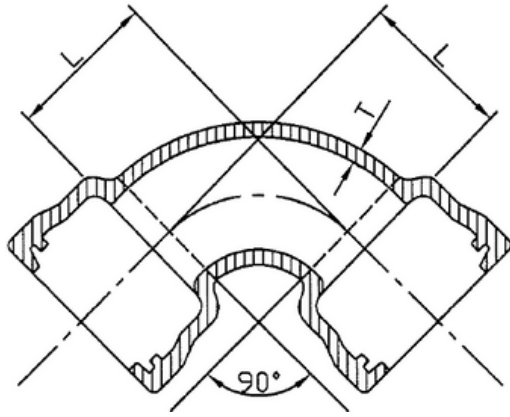
*Vanzon supply Pipe and fittings with DN ranged from 80 - 2000, for DN size over 600, please contact our representative for more information.

VZ D.I. Duckfoot Bend

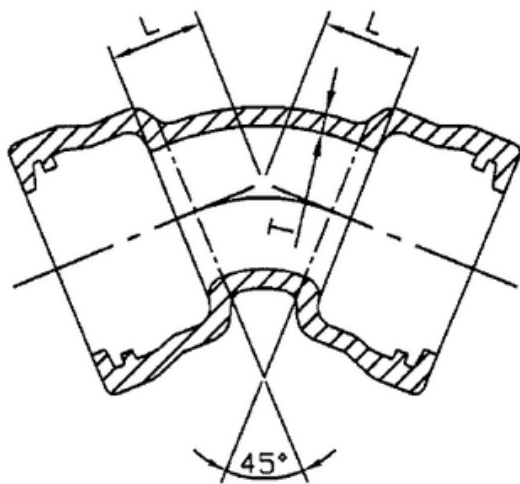


Duckfoot Bend					
Nominal Size (DN)	e (mm)	F (mm)	C (mm)	d (mm)	R (mm)
200	8.4	260	190	300	190
150	7.8	220	160	250	155
80	7.0	175	105	180	115

VZ D.I. Double Socket Bend



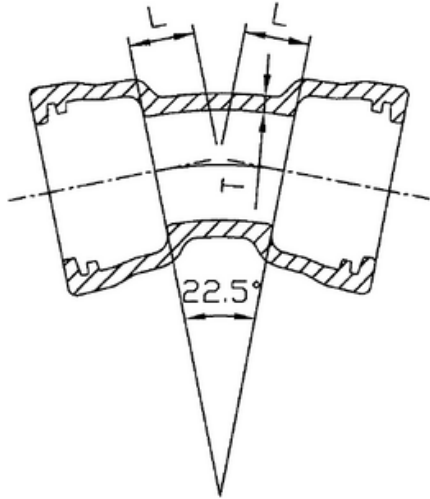
Double Socket 90° Bend		
Nominal Size* (DN)	T (mm)	L (mm)
600	13.2	620
450	11.4	470
400	10.8	420
300	9.6	320
250	9.0	270
200	8.4	220
150	7.8	170
100	7.2	120
80	7.0	100



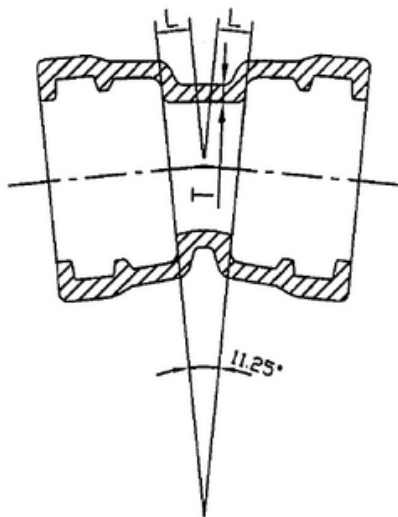
Double Socket 45° Bend		
Nominal Size* (DN)	T (mm)	L (mm)
600	13.2	285
450	11.4	220
400	10.8	195
300	9.6	150
250	9.0	130
200	8.4	110
150	7.8	85
100	7.2	65
80	7.0	55

*Vanzon supply Pipe and fittings with DN ranged from 80 - 2000, for DN size over 600, please contact our representative for more information.

VZ D.I. Double Socket Bend



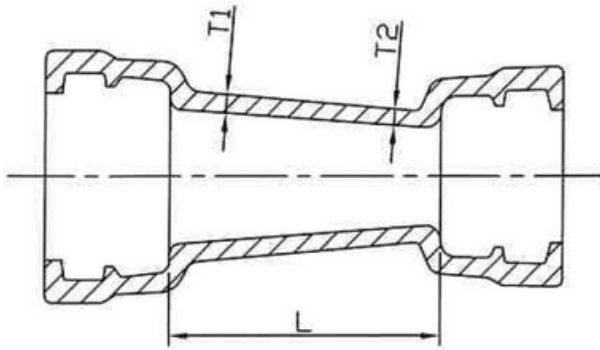
Double Socket 22.5° Bend		
Nominal Size* (DN)	T (mm)	L (mm)
600	13.2	150
450	11.4	120
400	10.8	110
300	9.6	85
250	9.0	75
200	8.4	65
150	7.8	55
100	7.2	40
80	7.0	40



Double Socket 11.25° Bend		
Nominal Size* (DN)	e (mm)	L (mm)
600	13.2	85
450	11.4	70
400	10.8	65
300	9.6	55
250	9.0	50
200	8.4	40
150	7.8	35
100	7.2	30
80	7.0	30

*Vanzon supply Pipe and fittings with DN ranged from 80 - 2000, for DN size over 600, please contact our representative for more information.

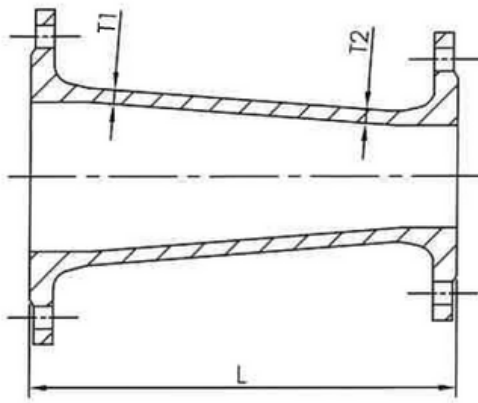
VZ D.I. Double Socket Concentric Taper



Double Socket Concentric Taper			
Nominal Size* (DN x dn)	T1 (mm)	T2 (mm)	L (mm)
600 x 450	13.2	11.4	360
600 x 400		10.8	460
600 x 300		9.6	600
450 x 400	11.4	10.8	160
450 x 300		9.6	360
450 x 250		9.0	415
450 x 200		8.4	460
400 x 300	10.8	9.6	260
400 x 250		9.0	360
400 x 200		8.4	460
400 x 150		7.8	560
300 x 250	9.6	9.0	150
300 x 200		8.4	250
300 x 150		7.8	350
300 x 100		7.2	350
250 x 200	9.0	8.4	150
250 x 150		7.8	250
250 x 100		7.2	250
200 x 150	8.4	7.8	150
200 x 100		7.2	250
150 x 100	7.8	7.2	150
150 x 80		7.0	190
100 x 80	7.2	7.0	90

*Vanzon supply Pipe and fittings with DN ranged from 80 - 2000, for DN size over 600, please contact our representative for more information.

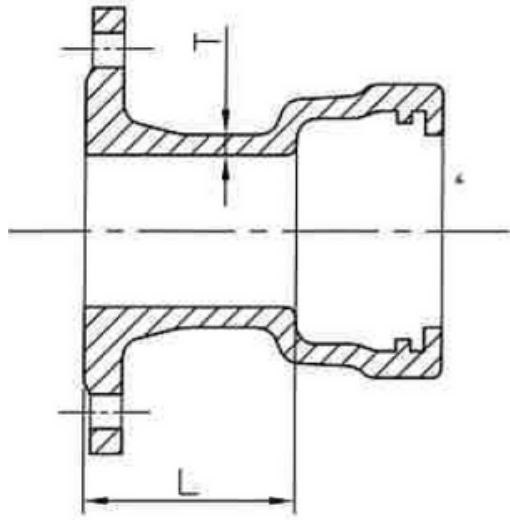
VZ D.I. Double Flanged Concentric Taper, PN16



Double Flanged Concentric Taper, PN16			
Nominal Size* (DN x dn)	T1 (mm)	T2 (mm)	L (mm)
600 x 450	13.2	11.4	490
600 x 400		10.8	600
500 x 450	12.0	11.4	300
450 x 400	11.4	10.8	300
450 x 300		9.6	350
450 x 250		9.0	600
400 x 350	10.8	10.2	300
400 x 300		9.6	370
400 x 250		9.0	600
400 x 200		8.4	600
350 x 300	10.2	9.6	300
300 x 250	9.6	9.0	300
300 x 200		8.4	600
300 x 150		7.8	430
300 x 100		7.2	600
250 x 200	9.0	8.4	300
250 x 150		7.8	600
250 x 100		7.2	600
200 x 150	8.4	7.8	300
200 x 100		7.2	600
200 x 80		7.0	600
150 x 100	7.8	7.2	300
150 x 80		7.0	400
100 x 80	7.2	7.0	200

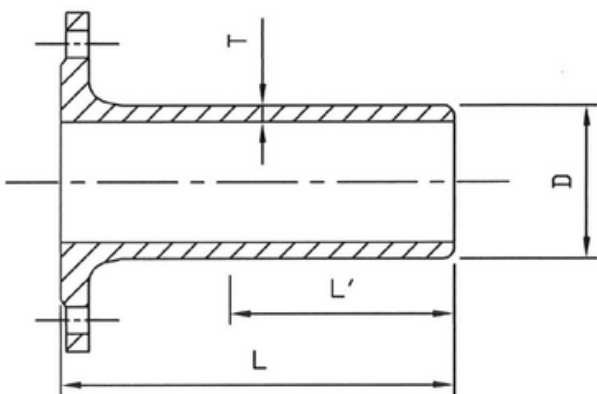
*Vanzon supply Pipe and fittings with DN ranged from 80 - 2000, for DN size over 600, please contact our representative for more information.

VZ D.I. Flanged Socket Piece, PN16



Flanged Socket Piece, PN16		
Nominal Size* (DN)	T (mm)	L (mm)
600	13.2	180
450	11.4	165
400	10.8	160
300	9.6	150
250	9.0	145
200	8.4	140
150	7.8	135
100	7.2	130
80	7.0	130

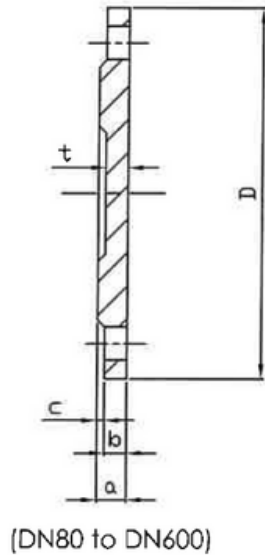
VZ D.I. Flanged Spigot Piece, PN16



Flanged Spigot Piece, PN16				
Nominal Size* (DN)	T (mm)	D (mm)	L (mm)	L' (mm)
600	13.2	635	560	310
450	11.4	480	500	280
400	10.8	429	480	270
300	9.6	326	440	250
250	9.0	274	420	240
200	8.4	222	400	230
150	7.8	170	380	225
100	7.2	118	360	215
80	7.0	98	350	215

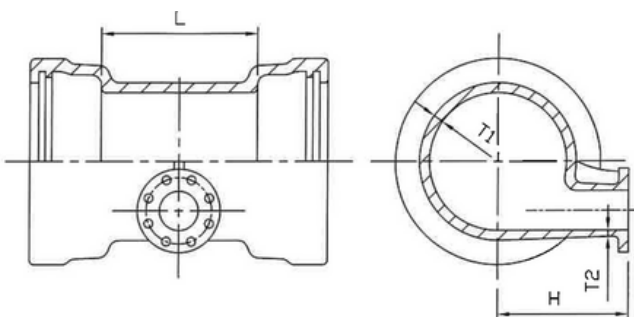
*Vanzon supply Pipe and fittings with DN ranged from 80 - 2000, for DN size over 600, please contact our representative for more information.

VZ D.I. Blank Flange, PN16



Blank Flange PN16					
Nominal Size* (DN)	D (mm)	a (mm)	b (mm)	c (mm)	t (mm)
600	840	36.0	31.0	5	31.0
450	640	30.0	26.0	4	26.0
400	580	28.0	24.0		24.0
300	455	24.5	20.5		20.5
250	400	22.0	19.0	3	19.0
200	340	20.0	17.0		17.0
150	285	19.0	16.0		16.0
100	220				
80	200				

VZ D.I. Flange on Double Socket Level Invert Tee, PN16

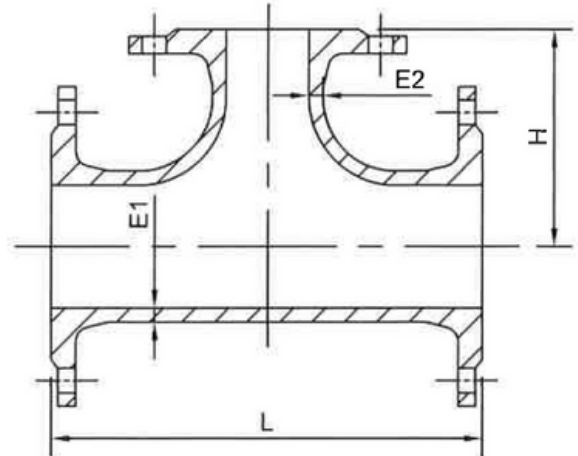


Flange on Double Socket Level Invert Tee, PN16				
Nominal Size* (DN x dn)	T1 (mm)	T2 (mm)	L (mm)	H (mm)
600 x 150	13.2	7.8	280	490
450 x 150	11.4		270	400
400 x 150	10.8		265	370
300 x 150	9.6		260	310
250 x 150	9.0		255	280
200 x 150	8.4		250	250

*Vanzon supply Pipe and fittings with DN ranged from 80 - 2000, for DN size over 600, please contact our representative for more information.

VZ D.I. All Flanged Tee, PN16

All Flanged Tee (DN 600-250), PN16					
Nominal Size* (DN x dn)	H (mm)	L (mm)	E1 (mm)	E2 (mm)	
600 x 600	550	1100	13.2	13.2	
600 x 450	520	930		11.4	
450 x 450	460	920	11.4	11.4	
450 x 400	430	830		10.8	
450 x 300	405	720		9.6	
450 x 250	395	670		9.0	
450 x 200	380	620		8.4	
450 x 150	370	570		7.8	
450 x 100	360	510		7.2	
400 x 400	405	810		10.8	10.8
400 x 300	380	700	9.6		
400 x 250	370	650	9.0		
400 x 200	355	600	8.4		
400 x 150	345	550	7.8		
400 x 100	330	490	7.2		
300 x 300	330	660	9.6	9.6	
300 x 250	315	600		9.0	
300 x 200	305	550		8.4	
300 x 150	290	500		7.8	
300 x 100	280	450		7.2	
300 x 80	275	430		7.0	
250 x 250	290	580		9.0	9.0
250 x 200	275	530			8.4
250 x 150	280	485	7.8		
250 x 100	255	420	7.2		
250 x 80	250	400	7.0		

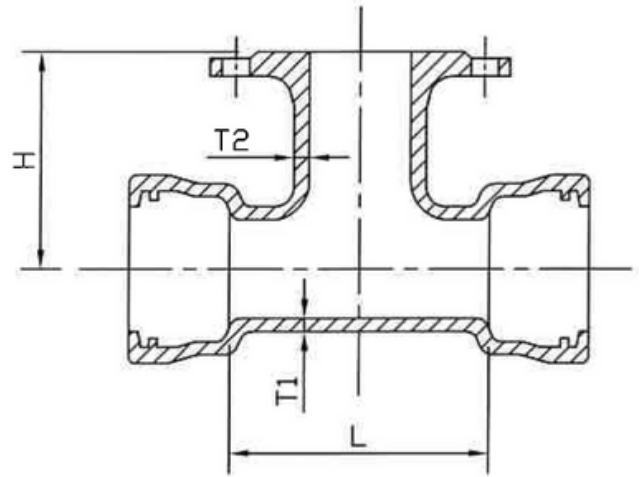


All Flanged Tee (DN 200-80), PN16				
Nominal Size* (DN x dn)	H (mm)	L (mm)	E1 (mm)	E2 (mm)
200 x 200	260	520	8.4	8.4
200 x 150	250	520		7.8
200 x 100	230	400		7.2
200 x 80	235	520	7.8	7.0
150 x 150	220	440		7.8
150 x 100	210	440		7.2
150 x 80	205	440	7.2	7.0
100 x 100	180	360		7.2
100 x 80	175	360		7.0
100 x 50	155	320	7.0	7.0
80 x 80	165	330		7.0
80 x 40	135	310		7.0

*Vanzon supply Pipe and fittings with DN ranged from 80 - 2000, for DN size over 600, please contact our representative for more information.

VZ D.I. Flange on Double Socket Tee, PN16

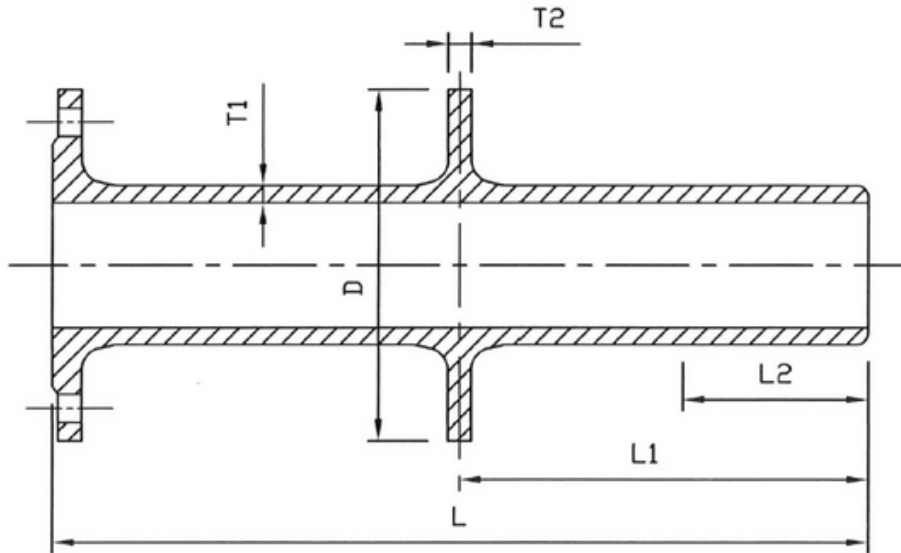
Flange on Double Socket Tee (DN 600-300)				
Nominal Size* (DN x dn)	L (mm)	H (mm)	T1 (mm)	T2 (mm)
600 x 600	810	545	13.2	13.2
600 x 450	625	550		11.4
600 x 400	600	510		10.8
600 x 300	500	485		9.6
600 x 250	450	470		9.0
600 x 200	355	500		8.4
600 x 150	340	450		7.8
600 x 100	290	435		7.2
450 x 450	630	440	11.4	11.4
450 x 400	580	430		10.8
450 x 300	470	405		9.6
450 x 250	420	395		9.0
450 x 200	370	380		8.4
450 x 150	320	370		7.8
450 x 100	260	360	7.2	10.8
400 x 400	570	405	10.8	
400 x 300	460	380	9.6	
400 x 250	410	370	9.0	
400 x 200	360	355	8.4	
400 x 150	310	345	7.8	
400 x 100	250	330	7.2	
300 x 300	450	360	9.6	
300 x 250	450	345		9.0
300 x 200	320	320		8.4
300 x 150	335	325		7.8
300 x 100	240	280		7.2



Flange on Double Socket Tee (DN 200-80)				
Nominal Size* (DN x dn)	L (mm)	H (mm)	T1 (mm)	T2 (mm)
200 x 200	315	260	8.4	8.4
200 x 150	255	250		7.8
200 x 100	200	240		7.2
200 x 80	175	235		7.0
150 x 150	255	220	7.8	7.8
150 x 100	195	210		7.2
150 x 80	170	205		7.0
100 x 100	190	180	7.2	7.2
100 x 80	170	175		7.0
80 x 80	170	165		7.0

*Vanzon supply Pipe and fittings with DN ranged from 80 - 2000, for DN size over 600, please contact our representative for more information.

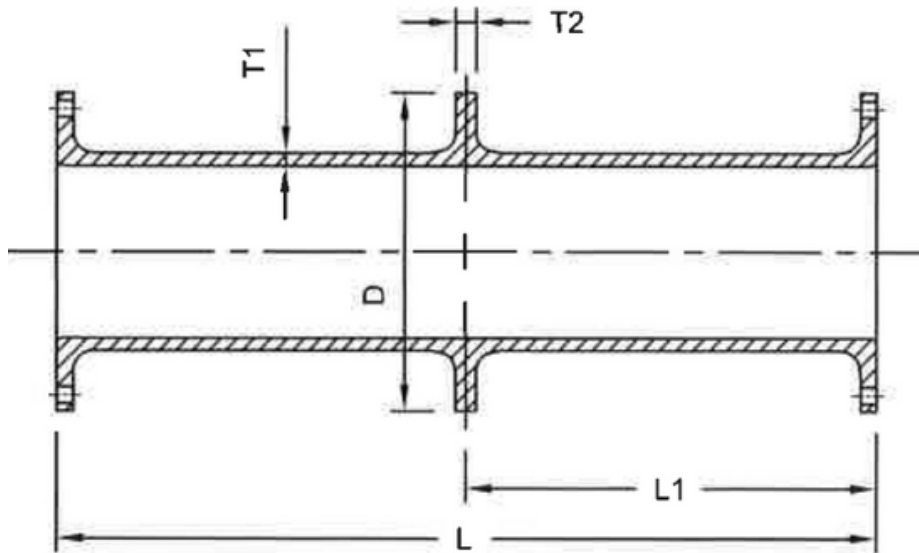
VZ D.I. Flanged Spigot Piece with Cast-on Puddle Flange, PN16



Flanged Spigot Piece with Cast-on Puddle Flange, PN16						
Nominal Size* (DN)	L (mm)	L1 (mm)	L2 (mm)	T1 (mm)	T2 (mm)	D (mm)
600	1200	600	310	13.2	31.0	840
450			280	11.4	26.0	640
400			270	10.6	24.0	580
300			250	9.6	20.5	455
250			240	9.0	19.0	400
200			230	8.4	17.0	340
150			225	7.8	16.0	285
100			215	7.2	16.0	220
80			215	7.0	16.0	200

*Vanzon supply Pipe and fittings with DN ranged from 80 - 2000, for DN size over 600, please contact our representative for more information.

VZ D.I. Double Flanged Piece with Cast-on Puddle Flange, PN16

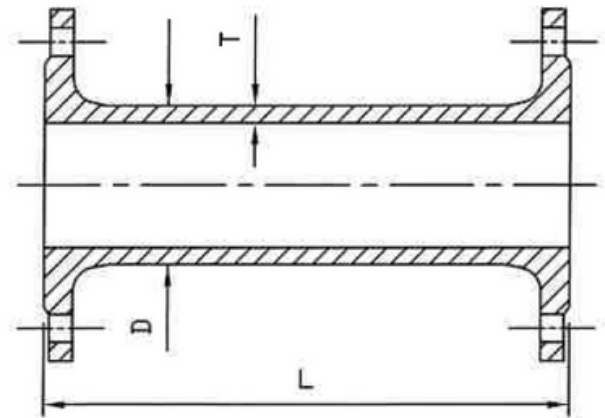


Double Flanged Piece with Cast-on Puddle Flange, PN16					
Nominal Size* (DN)	L (mm)	L1 (mm)	T1 (mm)	T2 (mm)	D (mm)
600	1200	600	13.2	31.0	840
450			11.4	26.0	640
400			10.6	24.0	580
300			9.6	20.5	455
250			9.0	19.0	400
200			8.4	17.0	340
150			7.8	16.0	285
100			7.2	16.0	220
80			7.0	16.0	200

*Vanzon supply Pipe and fittings with DN ranged from 80 - 2000, for DN size over 600, please contact our representative for more information.

VZ D.I. Double Flanged Distance Piece, PN16

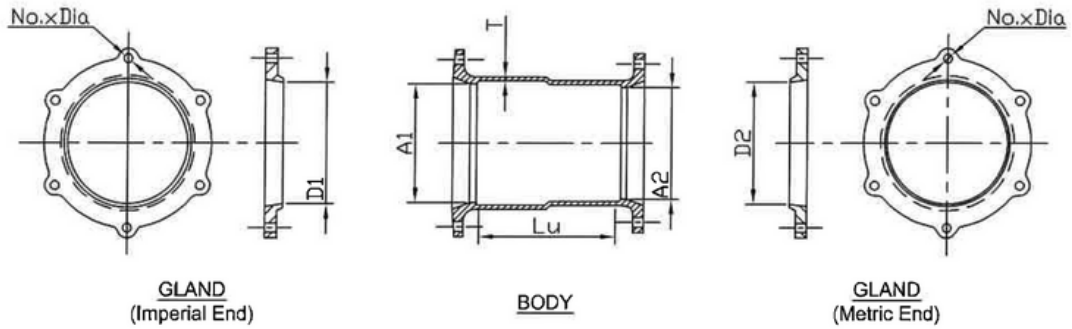
Double Flanged Distance Piece (DN450-150)			
Nominal Size* (DN)	L (mm)	D (mm)	T (mm)
450	500	480	11.4
	300		
400	500	429	10.8
	300		
300	500	326	9.6
	450		
	300		
	200		
250	500	274	9.0
	300		
	200		
200	600	222	8.4
	500		
	450		
	400		
	300		
	200		
150	1000	170	7.8
	600		
	500		
	450		
	400		
	350		
	300		
	250		
200			



Double Flanged Distance Piece (DN100-80)			
Nominal Size* (DN)	L (mm)	D (mm)	T (mm)
100	600	118	7.2
	500		
	450		
	400		
	300		
	200		
80	600	98	7.0
	500		
	450		
	300		
	200		

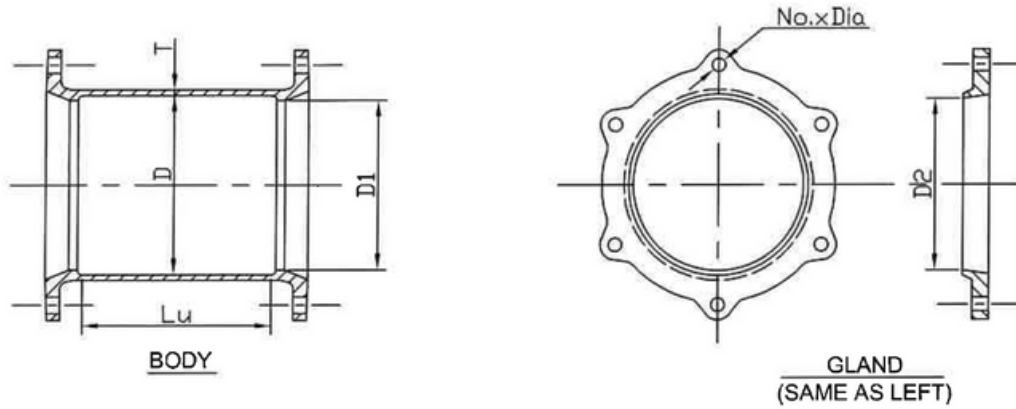
*Vanzon supply Pipe and fittings with DN ranged from 80 - 2000, for DN size over 600, please contact our representative for more information.

VZ D.I. Change Collar



Change Collar					
Nominal Size (DN)	T (mm)	Lu (mm)	A1 & D1 (mm)	A2 & D2 (mm)	Hole Nos. x Dia (mm)
600	13.2	225	679	640	16 x 23
450	11.4	195	514	485	12 x 23
400	10.8	210	470	434	10 x 23
300	9.6	180	351	331	8 x 23
250	9.0	185	301	279	6 x 23
200	8.4	185	238	227	5 x 23
150	7.8	165	183	175	4 x 19
100	7.2	160	126	123	3 x 19

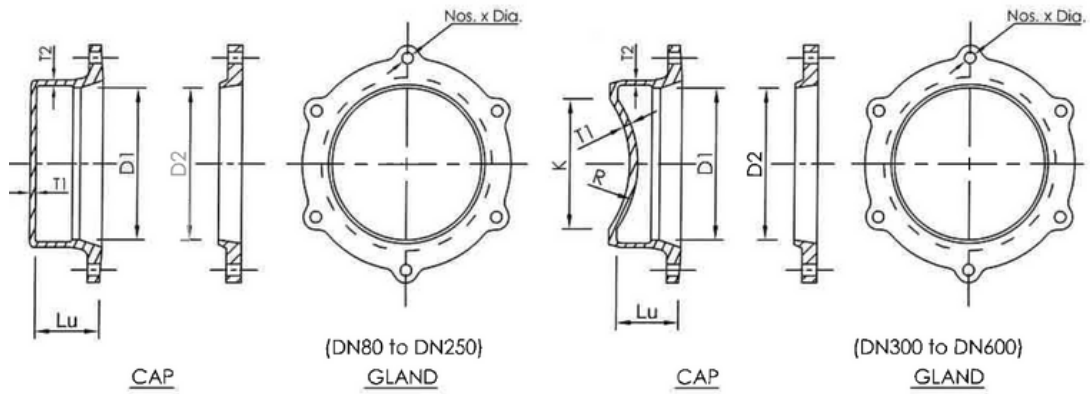
VZ D.I. Collar



Collar					
Nominal Size* (DN)	T (mm)	Lu (mm)	D (mm)	D1 & D2 (mm)	Hole Nos. x Dia (mm)
600	13.2	210	655	641	16 x 23
450	11.4	195	498	486	12 x 23
400	10.8	190	445	435	10 x 23
300	9.6	180	340	332	8 x 23
250	9.0	175	288	280	6 x 23
200	8.4	170	235	228	5 x 23
150	7.8	165	183	176	4 x 19
100	7.2	160	130	124	3 x 19
80	7.0	160	109	104	3 x 19

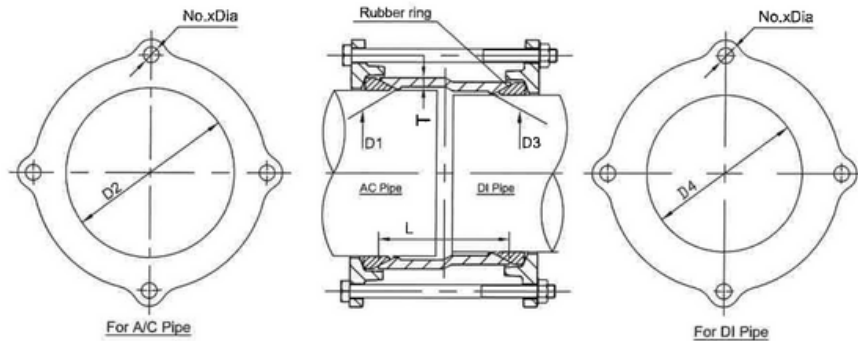
*Vanzon supply Pipe and fittings with DN ranged from 80 - 2000, for DN size over 600, please contact our representative for more information.

VZ D.I. Cap



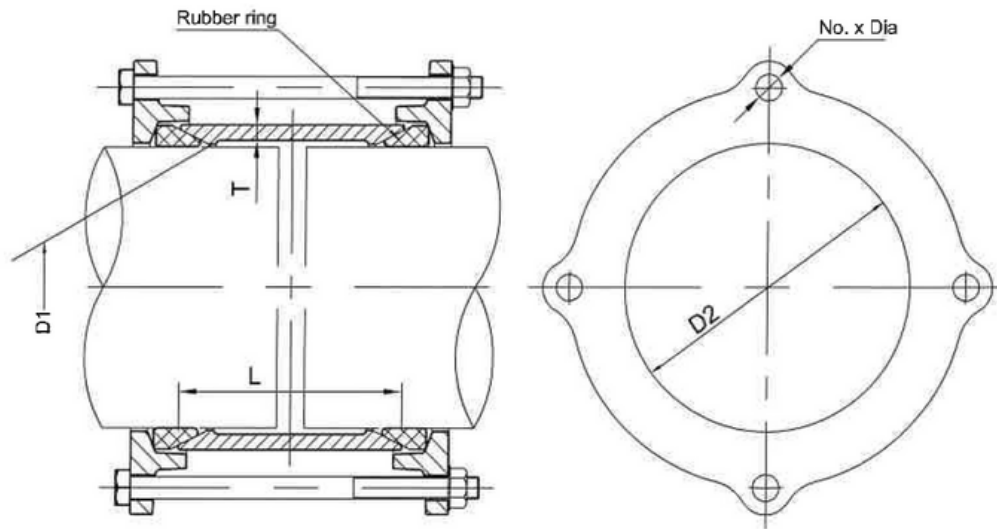
Cap						
Nominal Size (DN)	T1 (mm)	T2 (mm)	K&R (mm)	Lu (mm)	D1 & D2 (mm)	Hole Nos. x Dia (mm)
600	29.5	13.2	565	130	642	16 x 23
450	26.0	11.4	420		486	12 x 23
400	25.0	10.8	370	115	435	12 x 23
300	15.0	9.6	260		335	8 x 23
250	9.0	9.0	-	90	280	6 x 23
200	8.4	8.4	-		228	5 x 23
150	7.8	7.8	-		176	4 x 19
100	7.2	7.2	-		124	3 x 19
80	7.0	7.0	-		104	3 x 19

VZ D.I. Change Detachable Joint (A.C. to D.I.)



Change Detachable Joint (AC to D.I.)										
Nominal Size (DN)	T (mm)	L (mm)	For A.C. Pipe			For D.I. Pipe			Hole Nos. x Dia (No. x mm)	Bolt
D.I./A.C.			Pipe O.D.	D1 (mm)	D2 (mm)	Pipe O.D.	D3 (mm)	D4 (mm)		
450/450	11.4	150	507-515	520	520	480	486	486	10x19	M16x260
400/400	10.8		463-473	476	477	429	434	434	8x19	
300/300	9.6		345-352	355	356	326	331	332	6x19	
250/250	9.0		286-296	301	301	274	279	279		
200/200	8.4		232-240	245	245	222	227	228		
150/150	7.8	100	177-182	185	187	170	173	176	4x19	M16x185

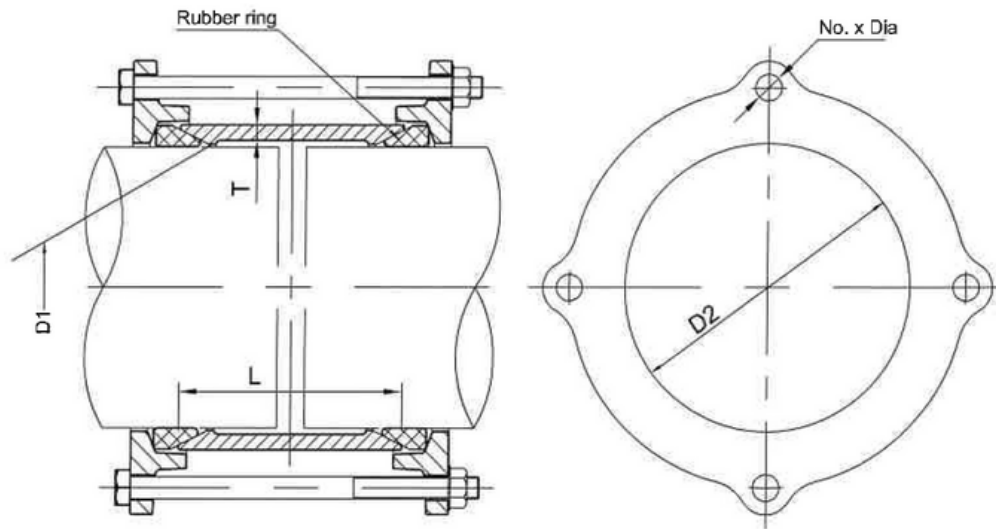
VZ D.I. Slip-On Coupling (D.I. Pipe)



Slip-On Coupling (D.I. Pipe)						
Nominal Size* (DN)	T (mm)	L (mm)	D1 (mm)	D2 (mm)	Hole Nos. x Dia. (Nos. x mm)	Bolt
600	13.2	150	641	641	10 x 19	M16x260
450	11.4		486	486		
400	10.8		434	434		
300	9.6		331	332	6 x 19	
250	9.0		279	280		
200	8.4		227	228		
150	7.8	100	174	175	4 x 19	M16x185
100	7.2		122	123	4 x 15	M16x170
80	7.0		102	103		

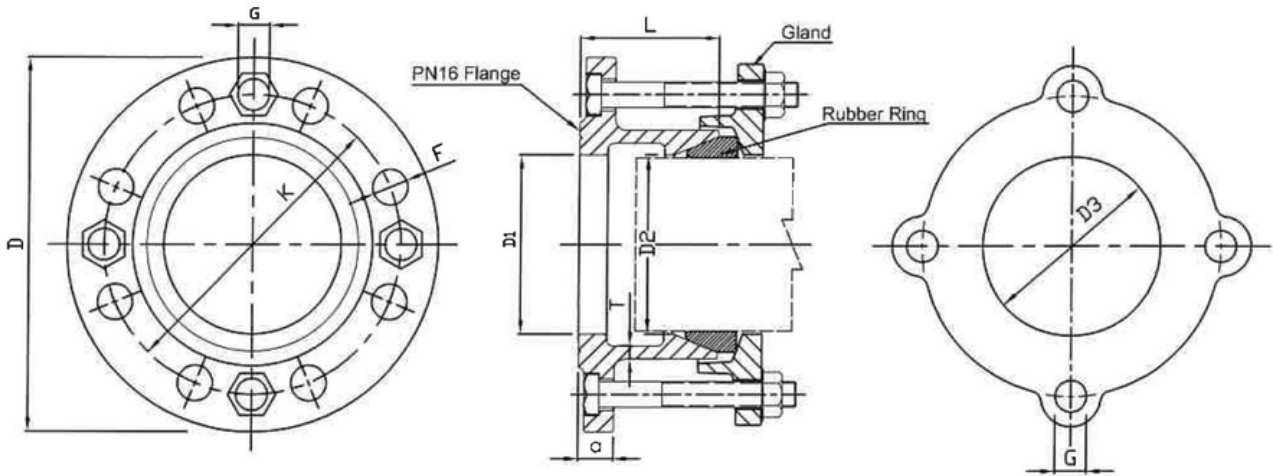
*Vanzon supply Pipe and fittings with DN ranged from 80 - 2000, for DN size over 600, please contact our representative for more information.

VZ D.I. Slip-On Coupling (M.S. Pipe)



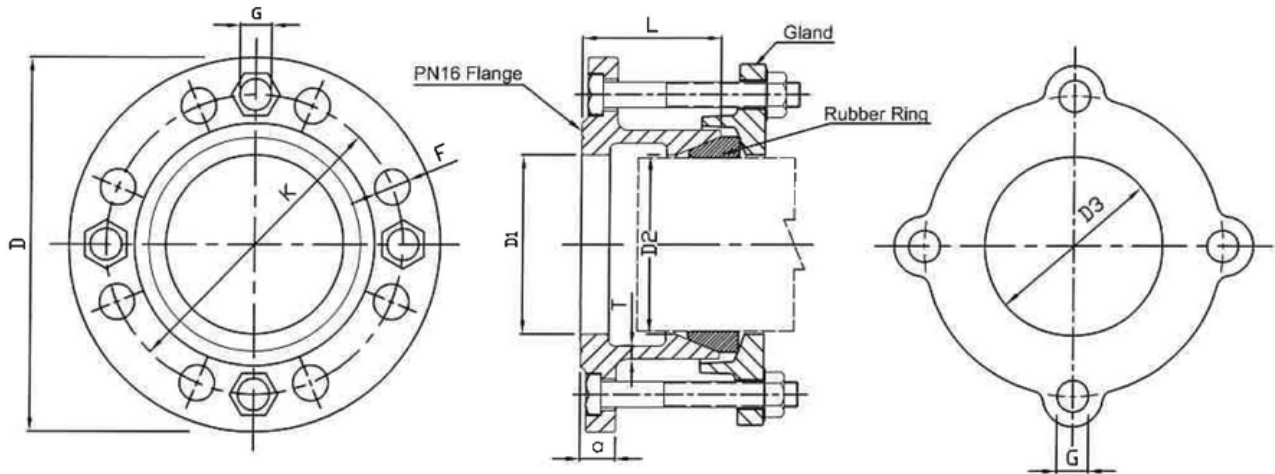
Slip-On Coupling (MS Pipe)						
Nominal Size (DN)	T (mm)	L (mm)	D1 (mm)	D2 (mm)	Hole Nos. x Dia. (Nos. x mm)	Bolt
600	13.2	150	617	617	10 x 19	M16x260
450	11.4		463	463		
400	10.8		412	412	8 x 19	
300	9.6		331	332	6 x 19	
250	9.0		279	280		
200	8.4		227	228		
150	7.8	100	174	175	4 x 19	M16x185
100	7.2		122	123	4 x 15	M16x170
80	7.0		101	102		

VZ D.I. Flange Adaptor (M.S. Pipe)



Flange Adaptor (MS Pipe)											
Nominal Size (DN)	D (mm)	K (mm)	D1 (mm)	D2 (mm)	D3 (mm)	L (mm)	T (mm)	a (mm)	Hole F Nos. x Dia. (Nos. x mm)	Hole G Nos. x Dia. (Nos. x mm)	Bolt for Hole G
600	840	770	617	618	618	100	13.2	36.0	20 x 37	10 x 19	M16x150
450	640	585	463	463	464		11.4	30.0	20 x 31		
400	580	525	412	412	413		10.8	28.0	16 x 31	8 x 19	
300	455	410	331	331	332		9.6	24.5	12 x 28	6 x 19	
250	400	355	279	279	280		9.0	22.0			
200	340	295	227	227	280	75	8.4	20.0	12 x 23	M16 x 120	
150	285	240	174	174	175		7.8	19.0	8 x 23		4 x 19
100	220	180	122	122	123		7.2	19.0	8 x 19		4 x 15
80	200	160	101	101	102		7.0	19.0			

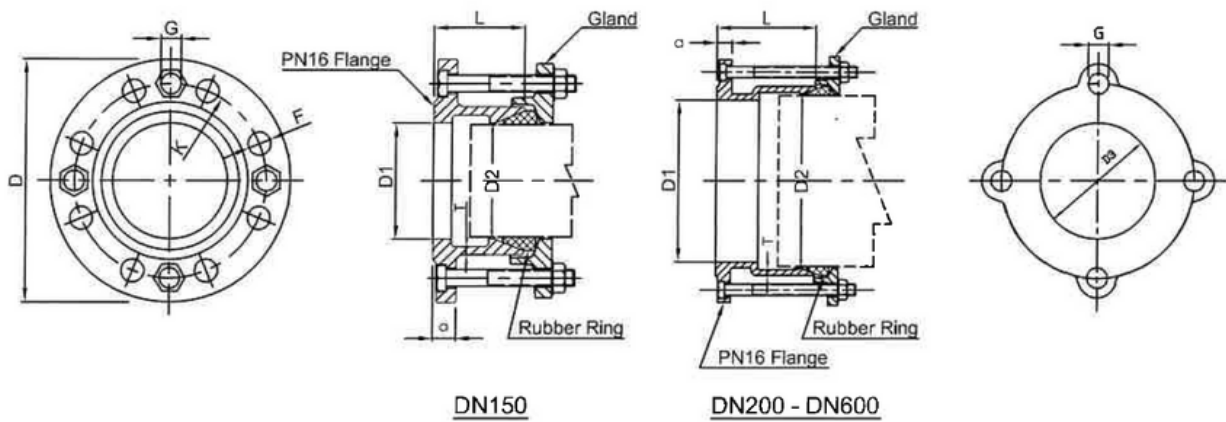
VZ D.I. Flange Adaptor (D.I. Pipe)



Flange Adaptor (D.I. Pipe)												
Nominal Size* (DN)	D (mm)	K (mm)	D1 (mm)	D2 (mm)	D3 (mm)	L (mm)	T (mm)	a (mm)	Hole F Nos. x Dia. (Nos. x mm)	Hole G Nos. x Dia. (Nos. x mm)	Bolt for Hole G	
600	840	770	641	642	642	100	13.2	36.0	20 x 37	10 x 19	M16x150	
450	640	585	486	486	487		11.0	30.0	20 x 31			
400	580	525	434	434	435		10.8	28.0	16 x 31	8 x 19		
300	455	410	331	331	330		9.6	24.5	12 x 28	6 x 19		
250	400	355	279	279	280		9.0	22.0				
200	340	295	227	227	228	75	8.4	20.0	12 x 23	4 x 19	M16 x 120	
150	285	240	174	174	175		7.8	19.0	8 x 23			
100	220	180	122	122	123		7.2	19.0	8 x 19			4 x 15
80	200	160	101	101	102		7.0	19.0				

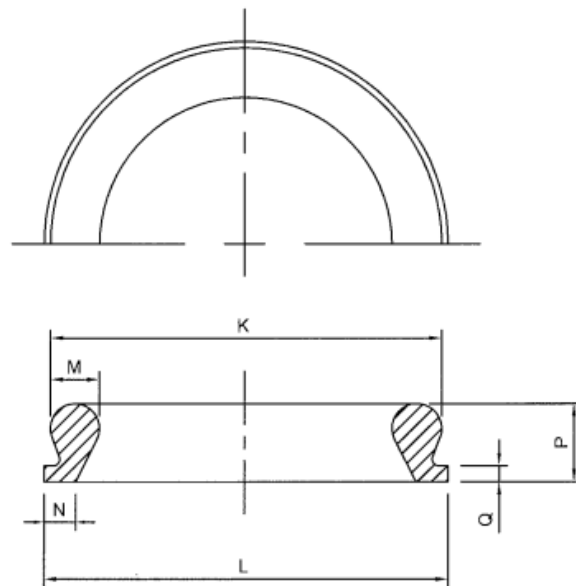
*Vanzon supply Pipe and fittings with DN ranged from 80 - 2000, for DN size over 600, please contact our representative for more information.

VZ D.I. Flange Adaptor (A.C. Pipe)



Flange Adaptor (A.C. Pipe)											
Nominal Size (DN)	D (mm)	K (mm)	D1 (mm)	D2 (mm)	D3 (mm)	L (mm)	T (mm)	a (mm)	Hole F Nos. x Dia. (Nos. x mm)	Hole G Nos. x Dia. (Nos. x mm)	Bolt for Hole G
600	840	770	611	685		175	13.2	36	20 x 37	10 x 19	M16x230
450	640	585	484	520		160	11.4	30	20 x 31		M16x210
400	582	525	432	476		160	10.2	28	16 x 31	8 x 19	
300	455	410	331	356		150	9.6	25	12 x 28	6 x 19	M16 X 185
250	400	355	279	301		150	9.0	22			
200	340	295	227	245		149	8.4	20			
150	285	240	185	185		80	7.8	19	8 x 23	4 x 19	M16 x 120

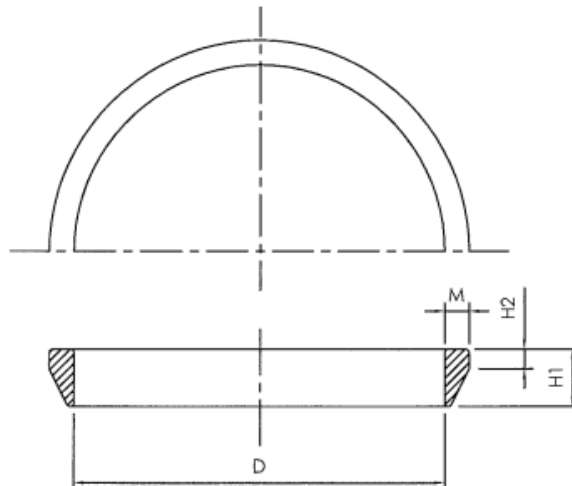
VZ 'Tyton' Joints for D.I. Fittings



'Tyton' Joints						
Nominal Size (DN)	K (mm)	L (mm)	M (mm)	N (mm)	P (mm)	Q (mm)
80	123	127	15.5	10.0	24.5	5
100	143	147	16.0		25.0	
150	194	200			26.0	
200	251	255	18.0	11.0	30.0	6
250	306	310			31.0	
300	358	363	20.0	13.0	32.0	7
400	473	480	24.5		38.0	8
450	520	528	25.0	38.0		
600	688	695		14.0	44.0	11

*Vanzon supply rubber joint with DN ranged from 80 - 2000, for DN size over 600, please contact our representative for more information.

VZ "K" Joints for Collars, Change Collars, Flange Adaptors and Coupling

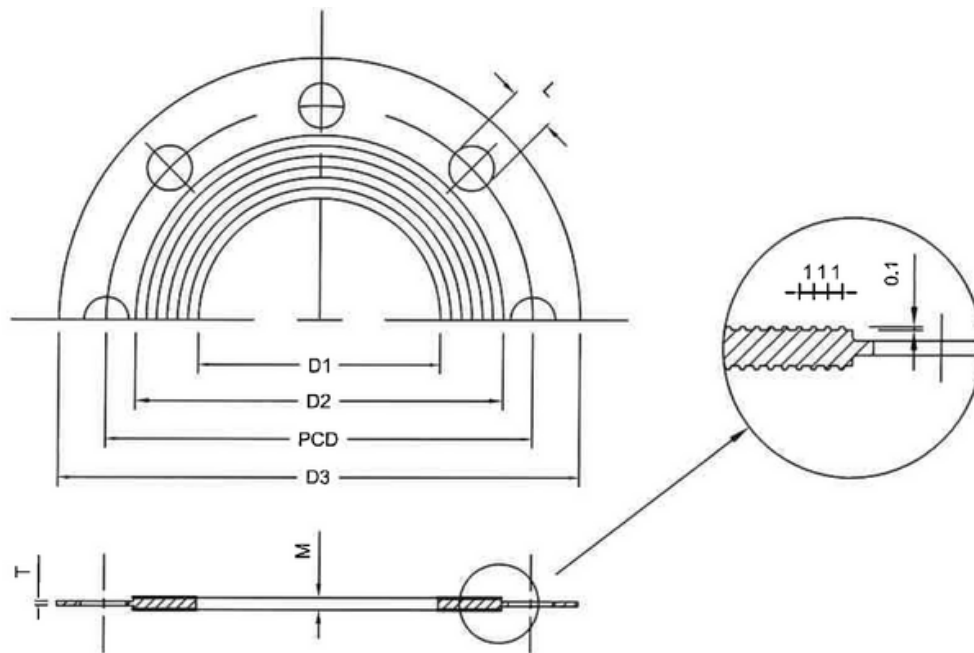


"K" Joint (DN)				
Nominal Size (DN)	D (mm)	M (mm)	H1 (mm)	H2 (mm)
80	95	12.5	29	10
100	114	12.5	30	
150	165	13.0	30	
200	215	13.0	31	11
250	265	14.0	32	
300	316	15.0	33	
400	416	15.0	33	
450	466	16.0	34	
500	529	18.0	34	
600	616	18.5	35	

"K" Joint (")				
Nominal Size (")	D (mm)	M (mm)	H1 (mm)	H2 (mm)
3"	96	13.0	28	12
4"	121	13.0	33	
6"	174	13.0	30	11
8"	228	15.0	32	
10"	282	14.0	33	
12"	335	16.0	33	
16"	458	16.0	34	10
18"	493	17.0	34	9
24"	648	18.5	35	9

*Vanzon supply rubber joint with DN ranged from 80 - 2000, for DN size over 600, please contact our representative for more information.

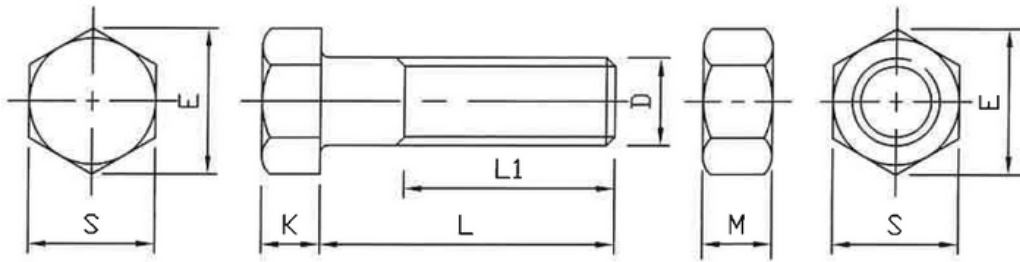
VZ EPDM Rubber Gasket, PN16



EPDM Rubber Gasket, PN16								
Nominal Size (DN)	D1 (mm)	D2 (mm)	PCD (mm)	D3 (mm)	Bolt Holes		M (mm)	T (mm)
					No.	L (mm)		
80	82	130	160	200	8	19	5.0	2.5
100	102	155	180	220	8	19		
150	152	208	240	285	8	23		
200	202	264	295	340	12	23		
250	252	326	355	400	12	28		
300	303	375	410	455	12	28		
350	353	435	470	520	16	28	5.5	3.0
400	403	480	525	580	16	31		
450	453	548	585	640	20	31	5.5	3.5
500	503	610	650	715	20	33		
600	603	720	770	840	20	37		
700	712	795	840	910	24	37		
800	813	900	950	1025	24	39		
900	915	1003	1050	1125	28	39		

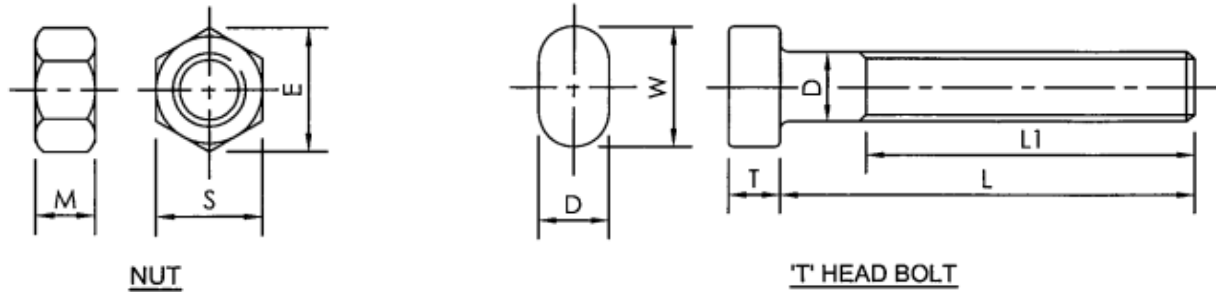
*Vanzon supply rubber joint with DN ranged from 80 - 2000, for DN size over 600, please contact our representative for more information.

VZ HDG Bolt and Nuts, Grade 4.8



HDP Bolts and Nuts											
Size (Dia x L)	D (mm)		S (mm)		E (mm)	K (mm)		M (mm)		L (mm)	L1 (mm)
	Max	Min	Max	Min	Min	Max	Min	Max	Min		
M16X70	16.70	15.30	24.00	23.16	26.17	10.75	9.25	15.90	14.10	70	50
M16X75										75	50
M16X80										80	50
M20X80	20.84	19.16	30.00	29.16	32.95	13.40	11.60	19.00	16.90	80	50
M20X85										85	50
M20X90										90	55
M20X95										95	60
M24X100	24.84	23.16	36.00	35.00	39.55	15.90	14.10	22.30	20.20	100	60
M24X105										105	65
M27X115	27.84	26.16	41.00	40.00	45.20	17.90	16.10	24.70	22.60	115	70
M27X120										120	65
M27X130										130	75
M30X140	30.84	29.16	46.00	45.00	50.85	19.75	17.65	26.40	24.30	140	80
M33X150	34.00	32.00	50.00	49.00	55.37	22.05	19.95	29.50	27.40	150	80
M33X170										170	100
M36X190	37.00	35.00	55.00	53.80	60.79	23.55	21.45	31.90	29.40	190	110
M36X205										205	120
M39X220	40.00	38.00	60.00	58.80	66.44	26.05	23.95	34.30	31.80	220	150
M39X230										230	150
M45X250	46.00	44.00	70.00	68.10	76.95	29.05	26.95	36.90	34.40	250	155
M45X290										290	175
M52X350	53.20	50.80	80.00	78.10	88.25	34.25	31.75	42.90	40.40	350	175
M52X360										360	175
M56X400	57.20	54.80	85.00	82.80	93.56	36.25	33.75	45.90	43.40	400	245

VZ 'T' Head Bolt and Nuts for D.I. Collars and Change Collars



'T' Head Bolt Application guide for Collar and Change Collar		
Nominal Size (DN)	Bolt Dia x L	Nos. Bolt & Nuts (Per Collar)
80	T16 x 85	6
100		6
150		8
200	T20 x 90	10
250		12
300		16
400	T20 x 120	20
450		24
600		32

'T' Bolts, Washer and Nuts											
Size (Dia x L)	Bolt (mm)						Nut (mm)				
	D		T	W	L	L1	S		K		E
	Max	Min					Max	Min	Max	Min	
T16X85	16.70	15.30	13	36	85	60	15.90	14.10	24.00	23.16	26.17
T20x90	20.84	19.16	15	40	90	70	19.00	16.90	30.00	29.16	32.95
T20x120	20.84	19.16	15	40	120	95	19.00	16.90	30.00	29.16	32.95

VZ D.I. Fittings Job Reference

Since 2017

C1123	Shatin to Central Link - Exhibition Station and Western Approach Tunnel	MTR Corp.	WSD
13/WSD/19	Construction of Pressure Management and District Metering Installations under Water Intelligent Network	MHW-MHC JV	BV
SC033C	Sai Sha Road Widening	Sanfield - Gammon JV	AECOM
1/WSD/18(W)	Term Contract for Waterworks District -New Territories West	Ming Hing	WSD
NE/2016/01	Site Formation and Infrastructure Works for development of Anderson Road Quarry Site	CW-STECC-Vasteam JV	AECOM
NE/2017/05	Road Widening and Retrofitting Noise Barriers on Tai Po Road (Sha Tin Section)	CR-CRF-ZH JV	AECOM
2/WSD/21	Term Contract for Risk-Based Improvement of water mains - Hong Kong and Island	Kwan On - Utech JV	Binnies
ED/2018/05	Kai Tak Development - Stage 5B Infrastructure Work	Build King - STECC JV	AECOM
4/WSD/21	Term Contract for Risk-Based Improvement of Water Mains - Kowloon	Wo Hing	AECOM
13/WSD/20	Term Contract for Risk-Based Improvement of small Water Mains - Kowloon and New Territories East	Hing Cheong	AECOM
5/WSD/21	Term Contract for Risk-Based Improvement of Water Mains - New Territories East	Ming Hing	AECOM
ND/2019/07	Fanling North New Development Area, Phase 1: Site Formation and Infrastructure Work	China Road and Bridge	AECOM
HY/2020/23	Provision of Universal Accessibility Facilities at Footbridges, Elevated Walkways and Subways	CNCE	Mannings



For Enquiry, please contact
Vanzon (Sino - Hong Kong) Company Limited
Tel: 2529 6121/ 2529 6166
Fax: 2529 6323
Email: vz@vanzon.com.hk
Address: Unit 712, Block B, Po Lung Centre,
11 Wang Chiu Road, Kowloon Bay, Hong Kong

We are looking forward to your enquiry