



# VZ Mild Steel Pipe, Fittings and Accessories

Presented by  
Vanzon (Sino - Hong Kong) Company Limited



---

# Table of Contents

Vanzon Introduction	01
Normative Reference	02
Material Specification	03
Coating System	04
Vanzon M.S. Pipe	05
Vanzon M.S. Fittings	08
Vanzon Accessories	25
Vanzon Job Reference	28

---

# Vanzon Background

Established in 1993, Vanzon has been dedicated in serving Hong Kong Water Utility Sector, as we missioned to supply quality pipe and fittings to Hong Kong. Vanzon was the first in the industry to introduce China-Manufactured Lined Galvanized Pipe (LGI Pipe), this product went on to be widely adopted in Hong Kong waterwork projects to get rid of trouble from rusty water, and indirectly speeden up LGI pipe manufacturing and application in mainland China.

Vanzon is proud for providing water pipes and fittings with outstanding quality, and we are eager to cooperate with our clients in tackling technical challenges regarding on material and application. The pipes, fittings and accessories provided by Vanzon are all complies to HK WSD requirements. In future, we are planning to work with more clients in different sectors, providing better quality products, benefitting more endusers.

**For Enquiry, please contact  
Vanzon (Sino - Hong Kong) Company Limited  
Tel: 2529 6121/ 2529 6166  
Fax: 2529 6323  
Email: [vz@vanzon.com.hk](mailto:vz@vanzon.com.hk)  
Address: Unit 712, Block B, Po Lung Centre,  
11 Wang Chiu Road, Kowloon Bay, Hong Kong**

**We are looking forward to your enquiry**

# Normative Reference

Standard	Title
BS EN 10224	Non-Alloy Steel Tubes and fittings for the conveyance of water and other aqueous liquids
BS EN 10220	Seamless and welded steel tubes- Dimensions and masses per unit length
BS EN 1092 - 2	Circular flanges for pipes, valves, fittings and accessories, PN designated.
BS EN 10311	Joints for the connection of steel tubes and fittings for the conveyance of water and other aqueous
BS 6920	Suitability of non-metallic products for use in contact with water intended for human consumption with regard to their effect on the quality of the water
BS EN ISO 4624	Paints and varnishes - Pull-off test for adhesion
BS EN ISO 4016	Hexagon head bolts - Product grade C
BS EN ISO 4034	Hexagon Regular Nuts - Product grade C

# Material Specification

## Mechanical Properties (Steel Grade L275)





	Reference Value
Tensile Strength (MPa)	430-570
Elongation (Longitudinal, %)	$\geq 21$

## Chemical Compositions (Steel Grade L275)

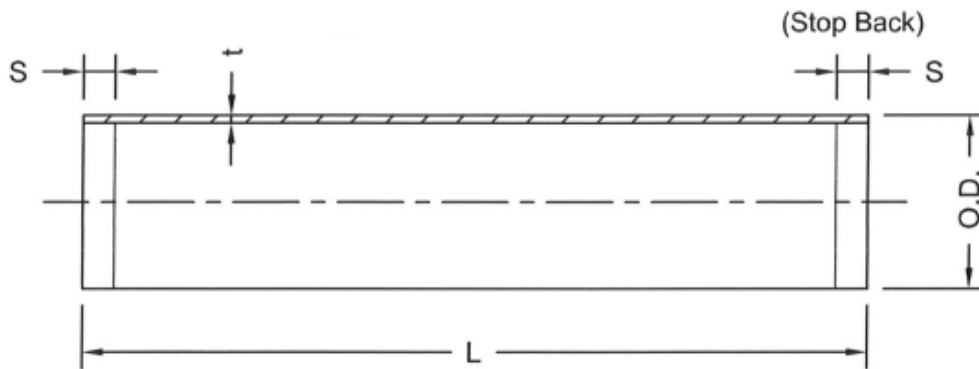
Elements	C	Si	Mn	P	S
Value (%, Max)	0.20	0.40	1.40	0.03	0.025

# Coating System

## Pipes & Fittings

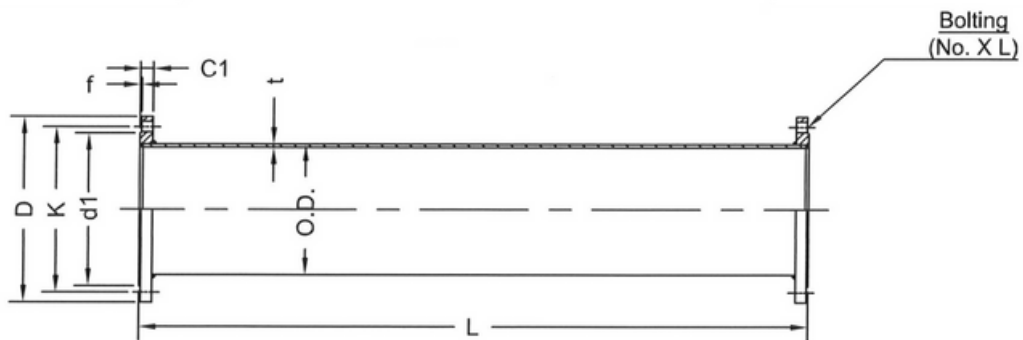
External	Coating System	
Option 1	Fusion Bonded Epoxy Coating	
Option 2	Chemically-cured Liquid Epoxy Coating	
Internal	Coating System	
Option 1	Fusion Bonded Epoxy Coating	
Option 2	Chemically-cured Liquid Epoxy Coating	

# VZ Plain End M.S. Pipe



Steel Pipe (L = 2/4/6/8 m)			
Nominal Size (DN)	O.D. (mm)	S (mm)	t (mm)
80	88.90	75.0	5.0
100	114.3		
150	168.3		
200	219.1		5.4
250	273.0		
300	323.9		6.3
400	406.4		
450	457.0		
500	508.0		
600	610.0		7.1
700	711.0		
800	813.0		8.0
900	914.0		
1000	1016.0		8.8
1200	1219.0		
1400	1422.0		10.0
1600	1626.0		
1800	1829.0		11.0
2000	2032.0		
2200	2235.0		12.5
		14.2	
		16.0	

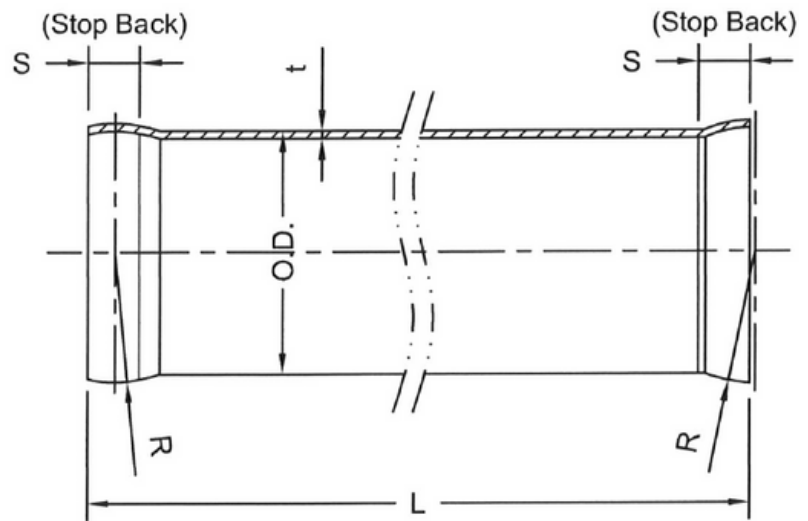
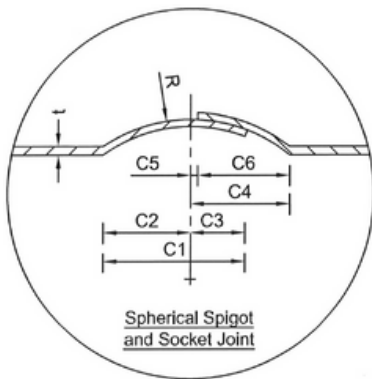
# VZ Double Flanged M.S. Pipe, PN16



Double Flanged Steel Pipe (L = 2/4/6/8 m), PN16								
Nominal Size (DN)	O.D. (mm)	D (mm)	K (mm)	d1 (mm)	C1 (mm)	f (mm)	Bolt (Nos. x L)	t (mm)
80	88.90	200	160	138	20	3	8X18	5.0
100	114.3	220	180	158	22		8X18	
150	168.3	285	240	212	24		8X22	
200	219.1	340	295	268	26	4	12X22	5.4
250	273.0	405	355	320	29		12X26	
300	323.9	460	410	378	32		12X26	
400	406.4	580	525	490	38	4	16X30	6.3
450	457.0	640	585	550	42		20X30	
500	508.0	715	650	610	46		20X33	
600	610.0	840	770	725	52	5	20X36	7.1
700	711.0	910	840	795	67		24X36	
800	813.0	1025	950	900	73		24X39	
900	914.0	1125	1050	1000	79	5	28X39	8.8
1000	1016.0	1255	1170	1115	86		28X42	
1200	1219.0	1485	1390	1330	104		32X48	
1400	1422.0	1685	1590	1530	112	5	36X48	10.0
1600	1626.0	1930	1820	1750	135		40X56	
1800	1829.0	2130	2020	1950	143		44X56	
2000	2032.0	2345	2230	2150	160	5	48X62	14.2
2200	2235.0	2630	2432	2359	168		56X62	



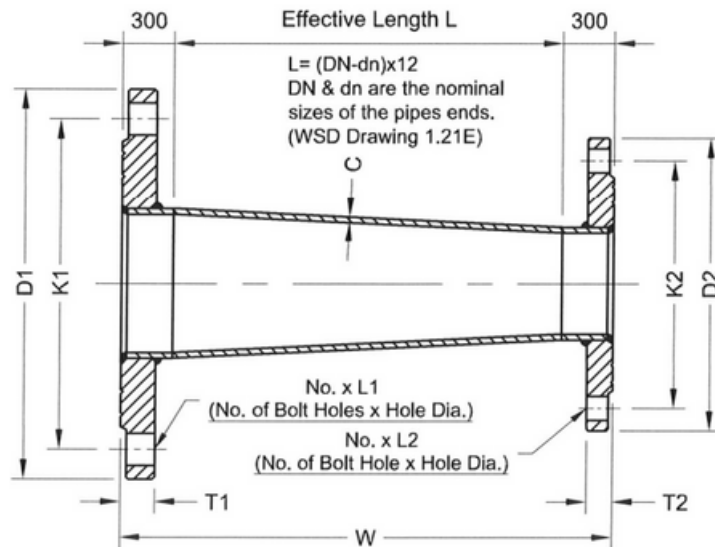
# VZ Socket and Spigot M.S. Pipe



Socket and Spigot Steel Pipe (L = 2/4/6/8 m)

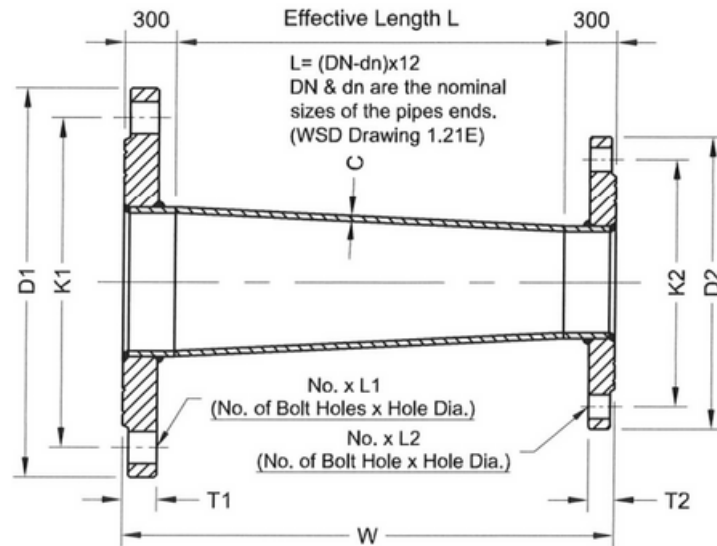
Nominal Size (DN)	O.D. (mm)	t (mm)	R (mm)	S (mm)	C1 (mm)	C2 (mm)	C3 (mm)	C4 (mm)	C5 (mm)	C6 (mm)
600	610.0	6.3	324	130	177	109	68	126	13	113
700	711.0	7.1	377	139	204	125	79	144	15	129
800	813.0	8.0	430	145	227	140	87	162	17	145
900	914.0	8.8	482	149	246	153	93	175	19	156
1000	1016.0	10.0	537	164	284	174	110	200	21	179
1200	1219.0		641	176	323	197	126	224	25	199
1400	1422.0	11.0	746	191	372	226	146	258	30	228
1600	1626.0	12.5	853	211	427	258	169	294	33	261
1800	1829.0		954	213	446	273	173	311	35	276
2000	2032.0	14.2	1059	226	488	300	188	328	37	291
2200	2235.0	16.0	1165	240	534	330	204	347	39	308

# VZ M.S. Double Flanged Concentric Taper, PN16



Double Flanged Concentric Taper; PN16 (DN100-900)											
Nominal Dimension (DN x dn)	D1 (mm)	K1 (mm)	T1 (mm)	No. x L1 (Nos. x mm)	W (mm)	C (mm)	D2 (mm)	K2 (mm)	T2 (mm)	No. x L2 (Nos. x mm)	
100 x 80	220	180	22	8 x 18	840	5.0	200	160	20	8 x 18	
150 x 100	285	240	24	8 x 22	1200		220	180	22	8 x 18	
200 x 150	340	295	26	12 x 22		5.4	285	240	24	8 x 22	
250 x 200	405	355	29	12 x 26			340	295	26	12 x 22	
300 x 250	460	410	32	12 x 26	1800	6.3	405	355	29	12 x 26	
400 x 300	580	525	38	16 x 30			460	410	32	12 x 26	
450 x 400	640	585	42	20 x 30			1200	580	525	38	16 x 30
500 x 450	715	650	46	20 x 33				640	585	42	20 x 30
600 x 500	840	770	52	20 x 36	1800	7.1	715	650	46	20 x 33	
700 x 600	910	840	67	24 x 36			840	770	52	20 x 36	
800 x 700	1025	950	73	24 x 39			8.0	910	840	67	24 x 36
900 x 800	1125	1050	79	28 x 39				1025	950	73	24 x 39

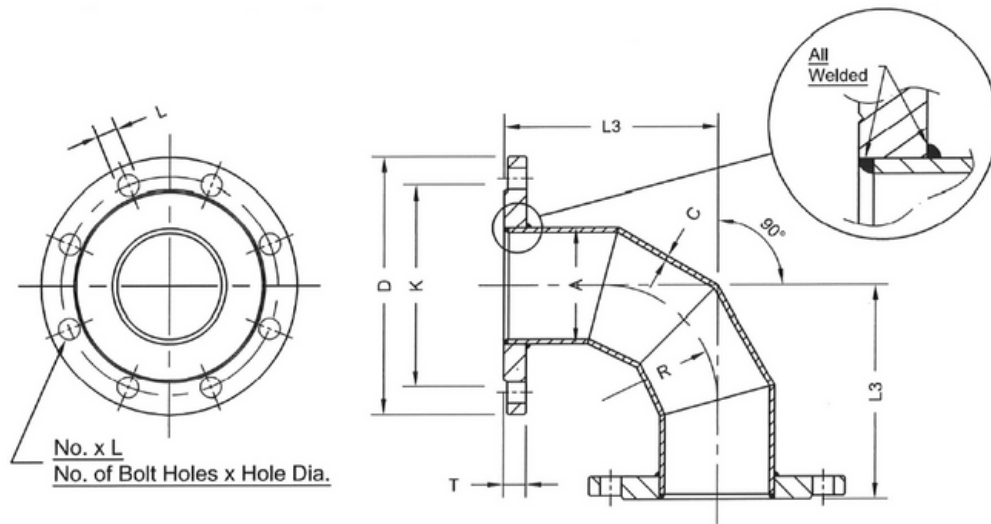
# VZ M.S. Double Flanged Concentric Taper, PN16



Double Flanged Concentric Taper; PN16 (DN1000-2000)

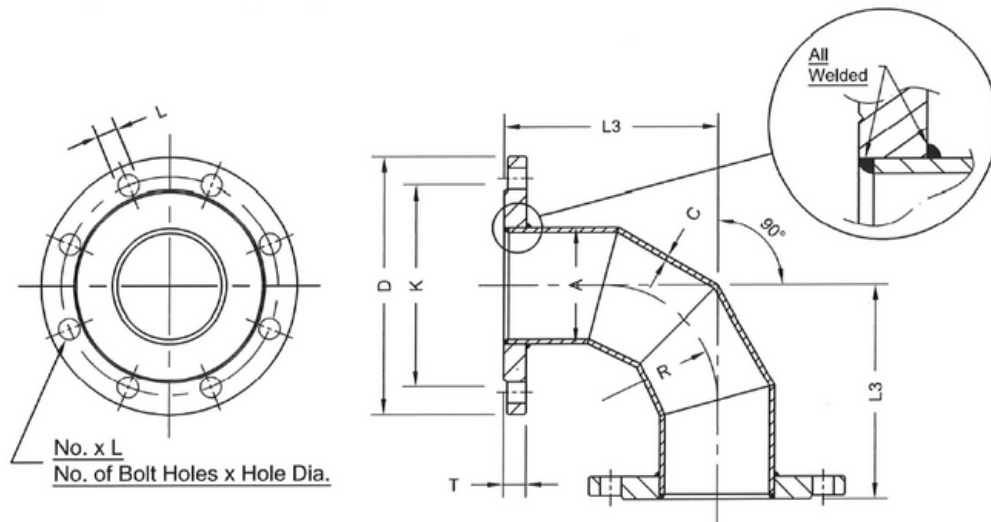
Nominal Dimension (DN x dn)	D1 (mm)	K1 (mm)	T1 (mm)	No. x L1 (Nos. x mm)	W (mm)	C (mm)	D2 (mm)	K2 (mm)	T2 (mm)	No. x L2 (Nos. x mm)
1000 x 900	1255	1170	86	28 x 42	1800	10.0	1125	1050	79	28 x 39
1200 x 1000	1485	1390	104	32 x 48	3000	10.0	1255	1170	86	28 x 42
1400 x 1200	1685	1590	112	36 x 48		11.0	1485	1390	104	32 x 48
1600 x 1400	1930	1820	135	40 x 56		12.5	1685	1590	112	36 x 48
1800 x 1600	2130	2020	143	44 x 56		12.5	1930	1820	135	40 x 56
2000 x 1800	2345	2230	160	48 x 62		14.2	2130	2020	143	44 x 56

# VZ M.S. Double Flanged Gusseted Bend 90°, PN16



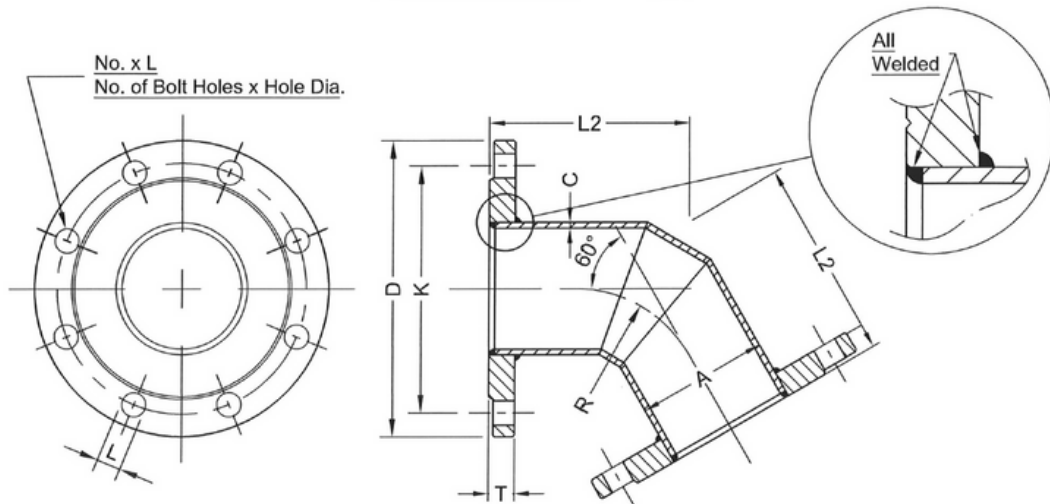
Double Flanged Gusseted Bend 90°; PN 16 (DN100-900)								
Nominal Dimension (DN)	A (mm)	D (mm)	K (mm)	T (mm)	No. x L (Nos. x mm)	R (mm)	C (mm)	L3 (mm)
100	114.3	220	180	22	8 x 18	172	5.0	300
150	168.3	285	240	24	8 x 22	253		400
200	219.1	340	295	26	12 x 22	329	5.4	500
250	273.0	405	355	29	12 x 26	410		650
300	323.9	460	410	32	12 x 26	486		700
400	406.4	580	525	38	16 x 30	610	6.3	850
450	457.0	640	585	42	20 x 30	457		850
500	508.0	715	650	46	20 x 33	508		850
600	610.0	840	770	52	20 x 36	610		1000
700	711.0	910	840	67	24 x 36	711	7.1	1100
800	813.0	1025	950	73	24 x 39	813	8.0	1200
900	914.0	1125	1050	79	28 x 39	914	8.8	1300

# VZ M.S. Double Flanged Gusseted Bend 90°, PN16



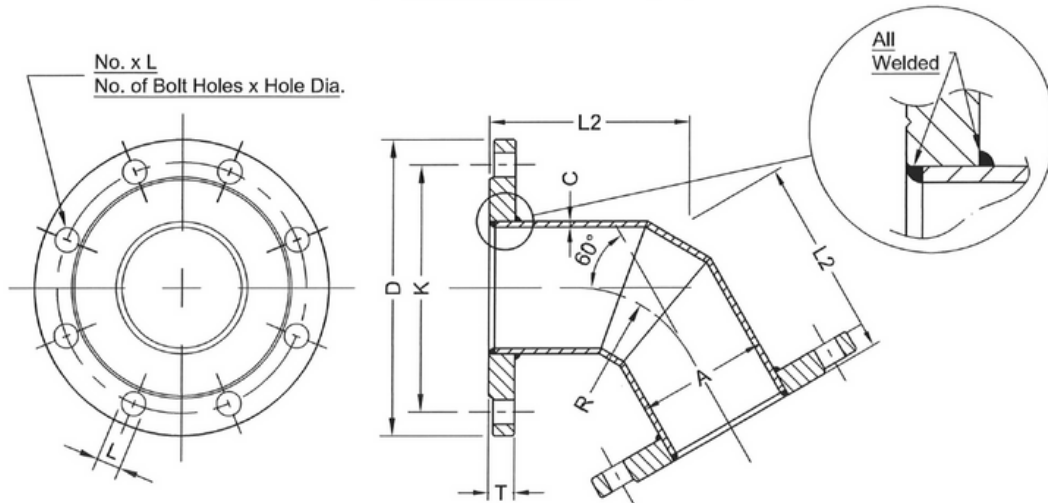
Double Flanged Gusseted Bend 90°; PN 16 (DN1000-2000)								
Nominal Dimension (DN)	A (mm)	D (mm)	K (mm)	T (mm)	No. x L (Nos. x mm)	R (mm)	C (mm)	L3 (mm)
1000	1016.0	1255	1170	86	28 x 42	1016	10.0	1500
1200	1219.0	1485	1390	104	32 x 48	1219	10.0	1700
1400	1422.0	1685	1590	112	36 x 48	1422	11.0	1900
1600	1626.0	1930	1820	135	40 x 56	1626	12.5	2100
1800	1829.0	2130	2020	143	44 x 56	1829	12.5	2200
2000	2032.0	2345	2230	160	48 x 62	2032	14.2	2500

# VZ M.S. Double Flanged Gusseted Bend 60°, PN16



Double Flanged Gusseted Bend 60°; PN 16 (DN100-900)								
Nominal Dimension (DN)	A (mm)	D (mm)	K (mm)	T (mm)	No. x L (Nos. x mm)	R (mm)	C (mm)	L2 (mm)
100	114.3	220	180	22	8 x 18	172	5.0	250
150	168.3	285	240	24	8 x 22	253		300
200	219.1	340	295	26	12 x 22	329	5.4	400
250	273.0	405	355	29	12 x 26	410		500
300	323.9	460	410	32	12 x 26	486		500
400	406.4	580	525	38	16 x 30	610	6.3	600
450	457.0	640	585	42	20 x 30	457		600
500	508.0	715	650	46	20 x 33	508		600
600	610.0	840	770	52	20 x 36	610		750
700	711.0	910	840	67	24 x 36	711	7.1	750
800	813.0	1025	950	73	24 x 39	813	8.0	850
900	914.0	1125	1050	79	28 x 39	914	8.8	900

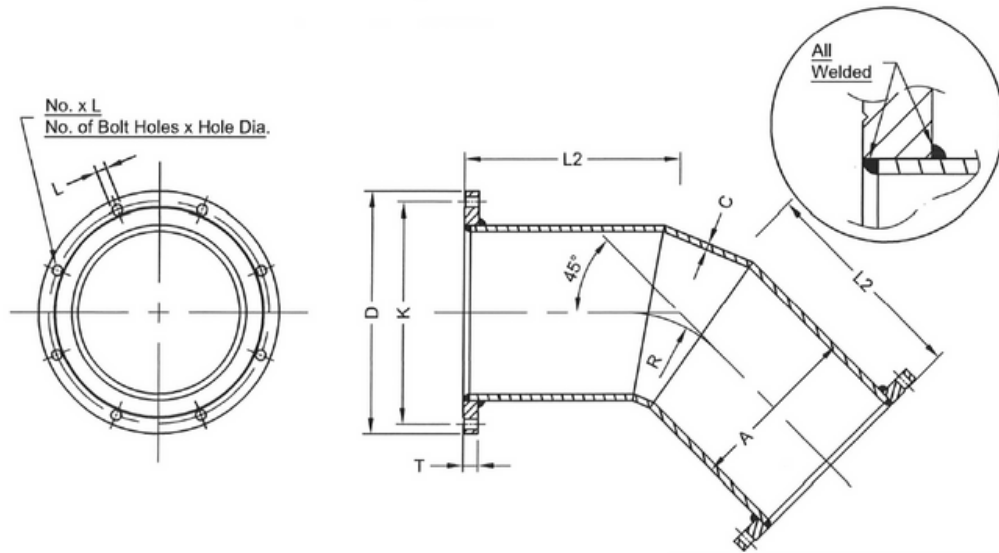
# VZ M.S. Double Flanged Gusseted Bend 60°, PN16



Double Flanged Gusseted Bend 60°; PN 16 (DN1000-2000)

Nominal Dimension (DN)	A (mm)	D (mm)	K (mm)	T (mm)	No. x L (Nos. x mm)	R (mm)	C (mm)	L2 (mm)
1000	1016.0	1255	1170	86	28 x 42	1016	10.0	1100
1200	1219.0	1485	1390	104	32 x 48	1219	10.0	1200
1400	1422.0	1685	1590	112	36 x 48	1422	11.0	1300
1600	1626.0	1930	1820	135	40 x 56	1626	12.5	1400
1800	1829.0	2130	2020	143	44 x 56	1829	12.5	1500
2000	2032.0	2345	2230	160	48 x 62	2032	14.2	1600

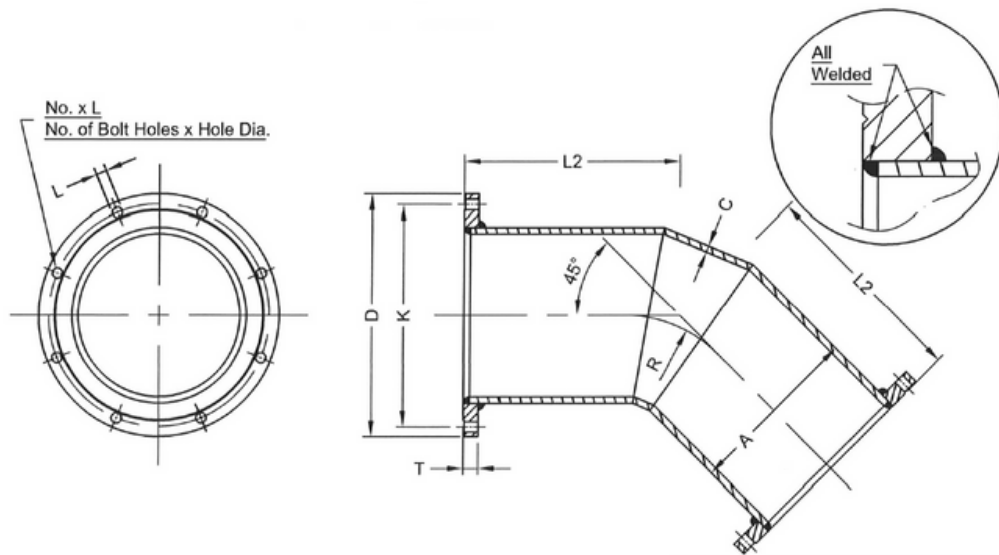
# VZ M.S. Double Flanged Gusseted Bend 45°, PN16



Double Flanged Gusseted Bend 45°; PN 16 (DN100-900)								
Nominal Dimension (DN)	A (mm)	D (mm)	K (mm)	T (mm)	No. x L (Nos. x mm)	R (mm)	C (mm)	L2 (mm)
100	114.3	220	180	22	8 x 18	172	5.0	200
150	168.3	285	240	24	8 x 22	253		300
200	219.1	340	295	26	12 x 22	329	5.4	350
250	273.0	405	355	29	12 x 26	410		450
300	323.9	460	410	32	12 x 26	486		450
400	406.4	580	525	38	16 x 30	610	6.3	600
450	457.0	640	585	42	20 x 30	686		600
500	508.0	715	650	46	20 x 33	762		600
600	610.0	840	770	52	20 x 36	915		750
700	711.1	910	840	67	24 x 36	1067	7.1	800
800	813.0	1025	950	73	24 x 39	1220	8.0	850
900	914.0	1125	1050	79	28 x 39	1371	8.8	900



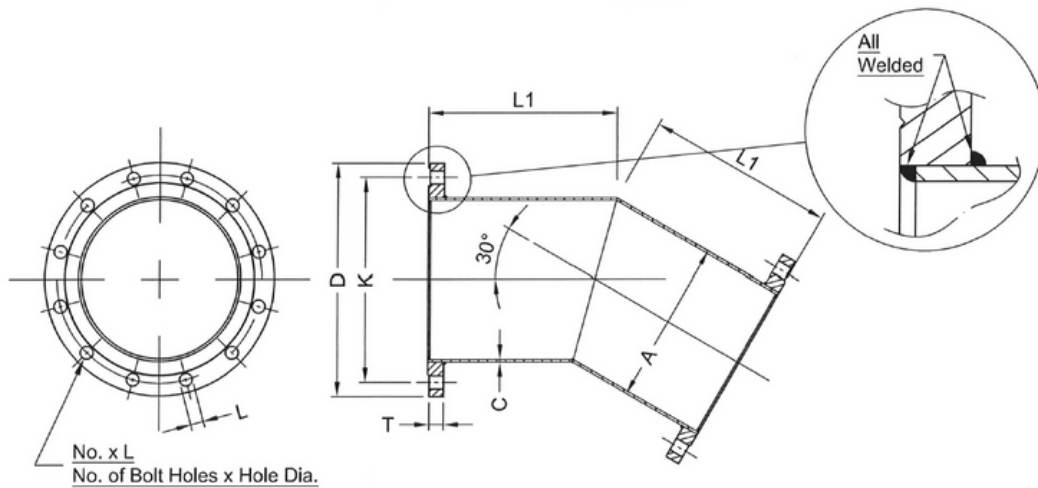
# VZ M.S. Double Flanged Gusseted Bend 45°, PN16



Double Flanged Gusseted Bend 45°; PN 16 (DN1000-2000)

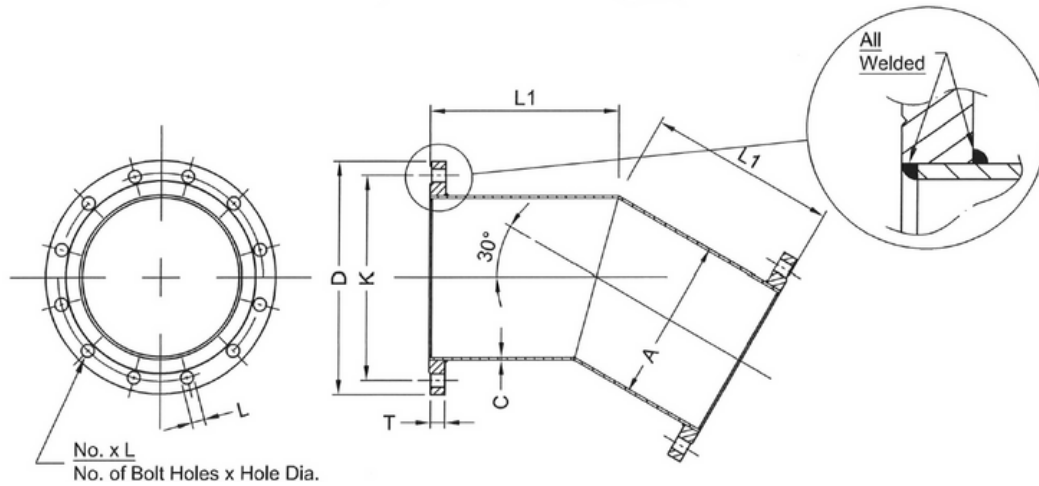
Nominal Dimension (DN)	A (mm)	D (mm)	K (mm)	T (mm)	No. x L (Nos. x mm)	R (mm)	C (mm)	L2 (mm)
1000	1016.0	1255	1170	86	28 x 42	1524	10.0	1100
1200	1219.0	1485	1390	104	32 x 48	1829	10.0	1200
1400	1422.0	1685	1590	112	36 x 48	2133	11.0	1300
1600	1626.0	1930	1820	135	40 x 56	2439	12.5	1400
1800	1829.0	2130	2020	143	44 x 56	2744	12.5	1500
2000	2032.0	2345	2230	160	48 x 62	3048	14.2	1600

# VZ M.S. Double Flanged Gusseted Bend 30°, PN16



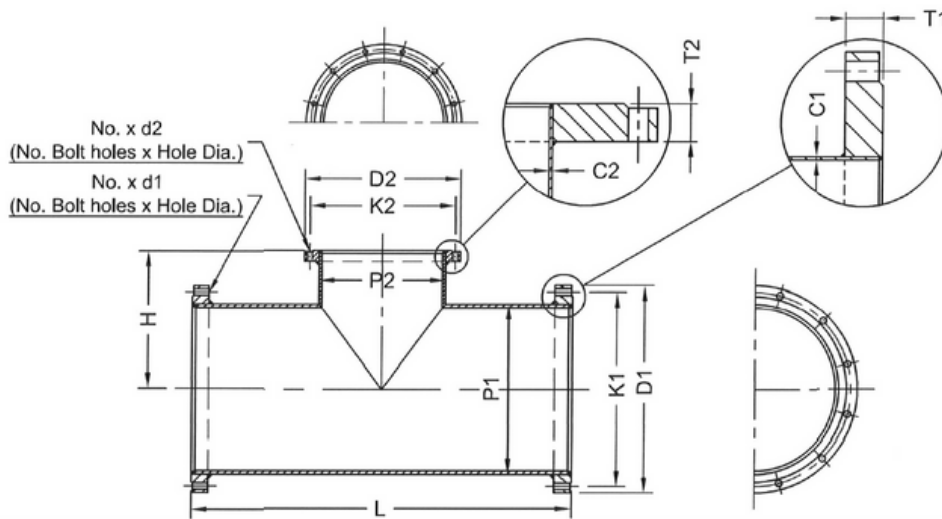
Double Flanged Gusseted Bend 30°; PN 16 (DN100-900)							
Nominal Dimension (DN)	A (mm)	D (mm)	K (mm)	T (mm)	No. x L (Nos. x mm)	C (mm)	L1 (mm)
100	114.3	220	180	22	8 x 18	5.0	175
150	168.3	285	240	24	8 x 22		225
200	219.1	340	295	26	12 x 22	5.4	300
250	273.0	405	355	29	12 x 26		375
300	323.9	460	410	32	12 x 26		375
400	406.4	580	525	38	16 x 30	6.3	450
450	457.0	640	585	42	20 x 30		450
500	508.0	715	650	46	20 x 33		450
600	610.0	840	770	52	20 x 36		550
700	711.0	910	840	67	24 x 36	7.1	550
800	813.0	1025	950	73	24 x 39	8.0	600
900	914.0	1125	1050	79	28 x 39	8.8	600

# VZ M.S. Double Flanged Gusseted Bend 30°, PN16



Double Flanged Gusseted Bend 30°; PN 16 (DN1000-2000)							
Nominal Dimension (DN)	A (mm)	D (mm)	K (mm)	T2 (mm)	No. x L (Nos. x mm)	C (mm)	L1 (mm)
1000	1016.0	1255	1170	86	28 x 42	10.0	750
1200	1219.0	1485	1390	104	32 x 48	10.0	850
1400	1422.0	1685	1590	112	36 x 48	11.0	850
1600	1626.0	1930	1820	135	40 x 56	12.5	900
1800	1829.0	2130	2020	143	44 x 56	12.5	900
2000	2032.0	2345	2230	160	48 x 62	14.2	1000

# VZ M.S. All Flanged Tee, PN16



All Flanged Tee, PN 16 (DN80-250)

Nominal Dimension (DN x dn)	P1 mm	P2 mm	L mm	H mm	D1 mm	K1 mm	T1 mm	C1 mm	No. x d1 (Nos. x mm)	D2 mm	K2 mm	T2 mm	C2 mm	No. x d2 (Nos. x mm)
80 x 80	88.9	88.9	500	160	200	160	20	5.0	8 x 18	200	160	20	5.0	8 x 18
100 x 80	114.3	88.9	540	170	220	180	22							
100 x 100		114.3		190										
150 x 100	168.3	114.3	580	220	285	240	24	5.0	8 x 22	220	180	22	5.0	8 x 22
150 x 150		168.3		230										
200 x 80	219.1	88.9	740	220	340	295	26	5.4	12 x 22	200	160	20	5.0	8 x 18
200 x 100		114.3		240							180	22		
200 x 150		168.3		250						240	24	8 x 22		
200 x 200		219.1		260						295	26	5.4		12 x 22
250 x 100	273.0	114.3	820	270	405	355	29	5.4	12 x 26	220	180	22	5.0	8 x 18
250 x 150		168.3		280							240	24		8 x 18
250 x 200		219.1		290						295	26	5.4	8 x 22	
250 x 250		273.0		300						355	29	5.4	12 x 22	

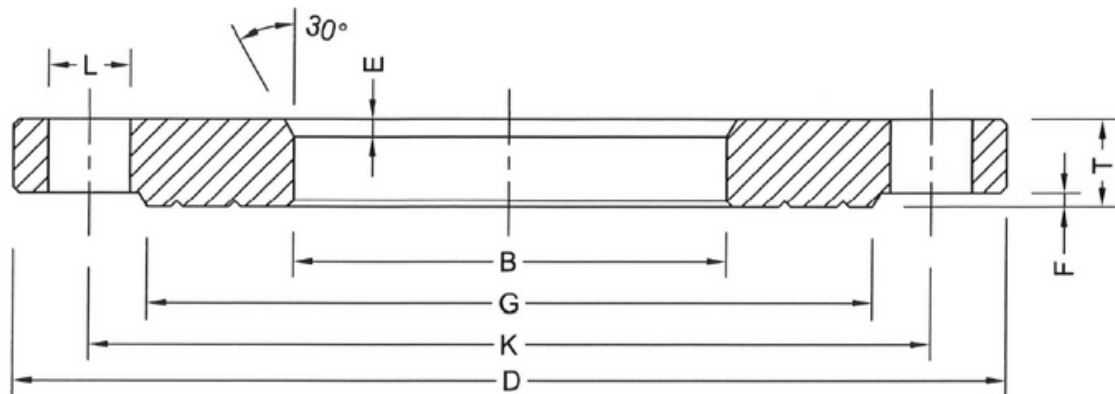
# VZ M.S. All Flanged Tee, PN16

All Flanged Tee, PN 16 (DN300-700)														
Nominal Dimension (DN x dn)	P1 mm	P2 mm	L mm	H mm	D1 mm	K1 mm	T1 mm	C1 mm	No. x d1 (Nos. x mm)	D2 mm	K2 mm	T2 mm	C2 mm	No. x d2 (Nos. x mm)
300 x 80	323.9	88.9	900	280	460	410	32	5.4	12 x 26	200	160	20	5.0	8 x 18
300 x 100		114.3		300						220	180	22		
300 x 150		168.3		310						285	240	24		
300 x 200		219.1		320						340	295	26	5.4	12 x 22
300 x 250		273.0		330						405	355	29		
300 x 300		323.9		350						460	410	32		
400 x 80	406.4	88.9	1200	320	580	525	38	6.3	16 x 30	200	160	20	5.0	8 x 18
400 x 200		219.1		360						340	295	26	5.4	12 x 22
400 x 250		273.0		370						405	355	29		
400 x 300		323.9		390						460	410	32		
400 x 400		406.4		440						580	525	38	6.3	16 x 30
450 x 300	457.0	323.9	1380	410	640	585	42	6.3	20 x 30	460	410	32	5.4	12 x 26
450 x 400		406.4		460						580	525	38	6.3	16 x 30
450 x 450		457.0		530						640	585	42		
500 x 200	508.0	219.1	1530	410	715	650	46	6.3	20 x 33	340	295	26	5.4	12 x 22
500 x 400		406.4		490						580	525	38	6.3	16 x 30
500 x 500		508.0		560						715	650	46		
600 x 150	610.0	168.3	1830	450	840	770	52	6.3	20 x 36	285	240	24	5.0	8 x 22
600 x 300		323.9		490						460	410	32	5.4	12 x 26
600 x 400		406.4		540						580	525	38	6.3	16 x 30
600 x 600		610.0		610						840	770	52	6.3	20 x 36
700 x 450	711.0	457.0	2140	660	910	840	67	7.1	24 x 36	640	585	42	6.3	20 x 30
700 x 600		610.0								840	770	52	6.3	20 x 36
700 x 700		711.0								910	840	67	7.1	24 x 36

# VZ M.S. All Flanged Tee, PN16

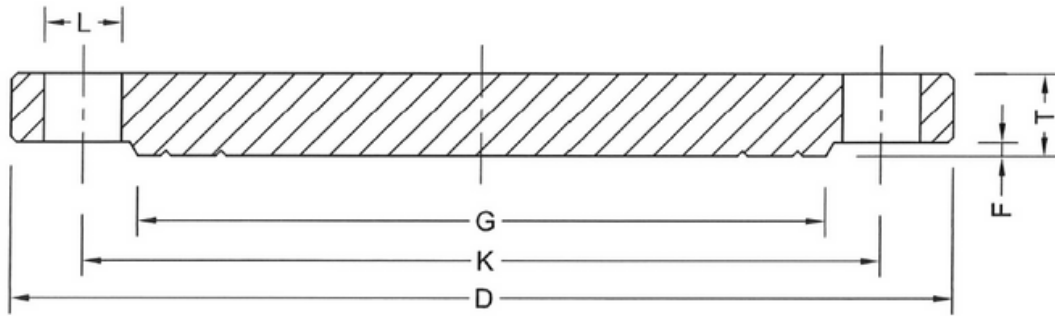
All Flanged Tee, PN 16 (DN800-2000)														
Nominal Dimension (DN x dn)	P1 mm	P2 mm	L mm	H mm	D1 mm	K1 mm	T1 mm	C1 mm	No. x d1 (Nos. x mm)	D2 mm	K2 mm	T2 mm	C2 mm	No. x d2 (Nos. x mm)
800 x 450	813.0	457.0	2440	710	1025	950	73	8.0	24 x 39	640	580	42	6.3	20 x 30
800 x 600		610.0								840	770	52		20 x 36
800 x 800		813.0								1025	950	73	8.0	24 x 39
900 x 600	914.0	610.0	2750	760	1125	1050	79	8.8	28 x 39	840	770	52	6.3	20 x 36
900 x 800		813.0								1025	950	73	8.0	24 x 39
900 x 900		914.0								1125	1050	79	8.8	28 x 39
1000 x 800	1016	813.0	3050	810	1255	1170	86	10.0	28 x 42	1025	950	73	8.0	24 x 39
1000 x 900		914.0		1125						1050	79	8.8	28 x 39	
1000 x 1000		1016		1255						1170	86	10.0	28 x 42	
1200 x 800	1219	813.0	3660	910	1485	1390	104	10.0	32 x 48	1025	950	73	8.0	24 x 39
1200 x 900		914.0		1125						1050	79	8.8	28 x 39	
1200 x 1000		1016		1255						1170	86	10.0	28 x 42	
1400 x 800	1422	813.0	4270	1020	1685	1590	112	11.0	36 x 48	1025	950	73	8.0	24 x 39
1400 x 1000		1016		1255						1170	86	10.0	28 x 42	
1400 x 1200		1219		1485						1390	104		32 x 48	
1600 x 1000	1626	1016	4880	1200	1930	1820	135	12.5	40 x 56	1255	1170	86	10.0	28 x 42
1600 x 1200		1219								1485	1390	104		32 x 48
1600 x 1400		1422								1685	1590	112	11.0	36 x 48
1800 x 1000	1829	1016	5490	1300	2130	2020	143	12.5	44 x 56	1255	1170	86	10.0	28 x 42
1800 x 1200		1219								1485	1390	104		32 x 48
1800 x 1400		1422								1685	1590	112	11.0	36 x 48
2000 x 1200	2032	1219	6100	1400	2345	2230	160	14.2	48 x 62	1485	1390	104	10.0	32 x 48
2000 x 1400		1422								1685	1590	112	11.0	36 x 48
2000 x 1600		1626								1930	1820	135	12.5	40 x 56

# VZ M.S. Ring Flanges



Ring Flanges (DN80-2000); BS EN 1092-1; WSD1.23C							
Nominal Dimension (DN)	D (mm)	K (mm)	No. x L (Nos. x Dia.)	B (mm)	G (mm)	F (mm)	T (mm)
80	200	160	8 x 18	90.5	138	2	20
100	220	180	8 x 18	116.0	158		22
150	285	240	8 x 22	170.5	212		24
200	340	295	12 x 22	221.5	268		26
250	405	355	12 x 26	276.5	320		29
300	460	410	12 x 26	327.5	378		32
350	520	470	16 x 26	359.0	438		35
400	580	525	16 x 30	411.0	490		38
450	640	585	20 x 30	462.0	550		42
500	715	650	20 x 33	513.5	610		46
600	840	770	20 x 36	616.5	725		52
700	910	840	24 x 36	716	795	5	67
800	1025	950	24 x 39	818	900		73
900	1125	1050	28 x 39	920	1000		79
1000	1255	1170	28 x 42	1022	1115		86
1200	1485	1390	32 x 48	1225	1330		104
1400	1685	1590	36 x 48	1428	1530		112
1600	1930	1820	40 x 56	1632	1750		135
1800	2130	2020	44 x 56	1835	1950		143
2000	2345	2230	48 x 62	2038	2154		160

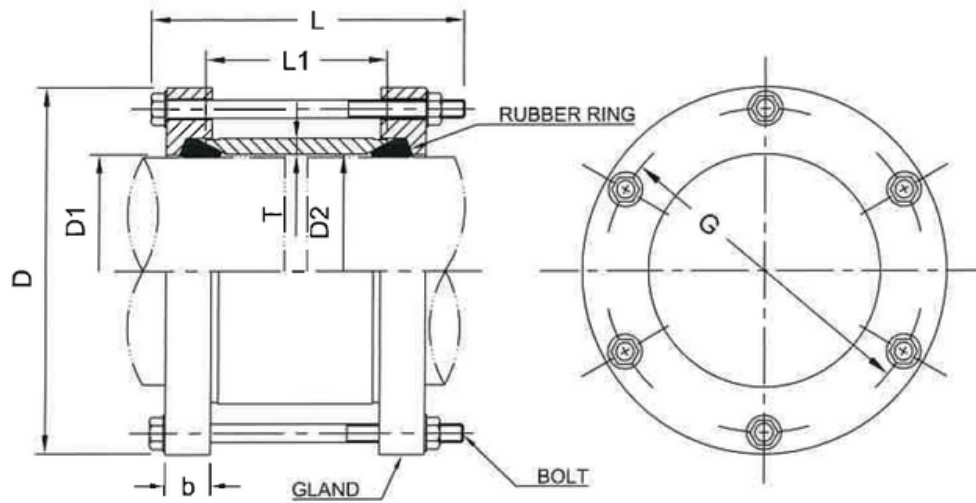
# VZ M.S. Blank Flanges



Ring Flanges (DN80-2000); BS EN 1092-1; WSD1.22C						
Nominal Dimension (DN)	D (mm)	K (mm)	No. x L (Nos. x Dia.)	G (mm)	F (mm)	T (mm)
80	200	160	8 x 18	138	2	20
100	220	180	8 x 18	158		20
150	285	240	8 x 22	212		22
200	340	295	12 x 22	268		24
250	405	355	12 x 26	320		26
300	460	410	12 x 26	378		28
350	520	470	16 x 26	438		30
400	580	525	16 x 30	490		32
450	640	585	20 x 30	550		40
500	715	650	20 x 33	610		44
600	840	770	20 x 36	725		54
700	910	840	24 x 36	795		48
800	1025	950	24 x 39	900		52
900	1125	1050	28 x 39	1000		58
1000	1255	1170	28x 42	1115		64
1200	1485	1390	32 x 48	1330		76
1400	1685	1590	36 x 48	1530		94
1600	1930	1820	40 x 56	1750		107
1800	2130	2020	44 x 56	1950		119
2000	2345	2230	48 x 62	2154		131

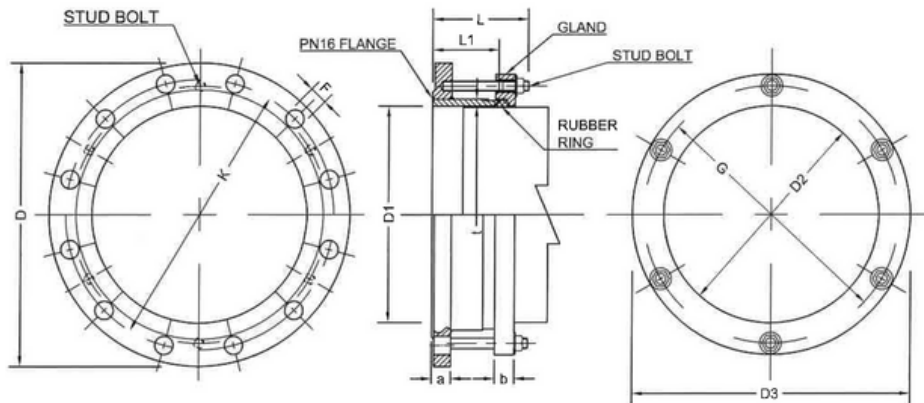


# VZ M.S. Coupling (MS Pipe)



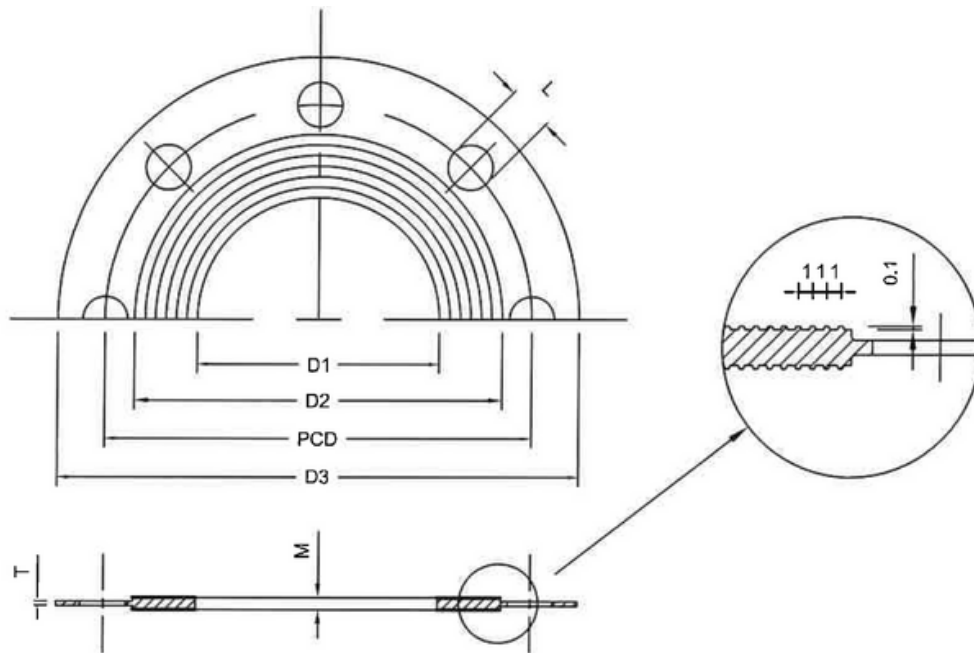
Coupling (MS Pipe)										
Nominal Dimension (DN)	D (mm)	D1 (mm)	b (mm)	D2 (mm)	T (mm)	L1 (mm)	L (mm)	G (mm)	Bolt (Nos. x Dia.)	
80	158	92	25	92	7	100	180	126	4 x M12	
100	200	118		168						
150	260	172		222						
200	310	224	30	224	8	150	230	6 x M16		
250	375	277		277			336			
300	425	329		329			240		390	
400	510	411		411					475	
450	560	462		462					525	
450*	560	462	40	462	10	300	400	525	10 X M16	
600	715	615		615		150	240	680		
700	830	716		716			260	795		
800	960	819		819		200	15	310		925
900	1060	920	920	1025						
1000	1160	1022	1022	250	16				360	1125
1200	1365	1225	1225			1330				
1400	1570	1428	1428			18	410	1535		18 X M16
1600	1800	1632	1632					300		460
1800	2000	1835	1835	20	1950	22 X M20				
2000	2210	2040	2040		2160	24 X M20				
2200	2420	2245	2245		25	470	2350		26 X M27	

# VZ M.S. Flange Adaptor



Flange Adaptor (M.S. Pipe)												
Nominal Dimension (DN)	D	G	K	D1&2	D3	L	L1	T	a	b	Hole Nos. x F	Bolt (Nos. x Dia.)
80	200	126	160	92	158	125	75	7	20	25	8 x 18	4 x M12
100	220	168	180	118	200				22		8 x 18	4 x M12
150	285	222	240	172	260			24	8 x 22		4 x M16	
200	340	275	295	224	310	145	100	10	24	30	12 x 22	6 x M16
250	405	336	355	277	375				26		12 x 26	
300	460	390	410	329	425			26	12 x 26			
350	520	438	470	362	475	158	125	14	28	30	16 x 26	8 X M16
400	580	475	525	411	510	145	100	11	28		16 x 30	8 X M16
450	640	525	585	462	560				30		20 x 30	10 X M16
500	715	580	650	513	620				30	20 x 33	10 X M16	
600	840	680	770	615	715	170	125	12	34	40	20 x 36	10 X M16
700	910	780	840	716	820				34		24 x 36	
800	1025	925	950	819	960			180	19		36	24 x 39
900	1125	1025	1050	920	1060	180	125	19	36	28 x 39	14 X M16	
1000	1255	1125	1170	1022	1160				42	28x 42		
1200	1485	1330	1390	1225	1365				205	150	19	44
1400	1685	1535	1590	1428	1570	48	36 x 48	18 X M16				
1600	1930	1750	1820	1632	1820	250	180	20				50
1800	2130	1950	2020	1835	2060	265			65	44 x 56	22 X M20	
2000	2345	2180	2230	2040	2250	270			200	25	66	48 x 62
2200	2555	2380	2440	2245	2450	270	80	52 x 62			26 X M27	

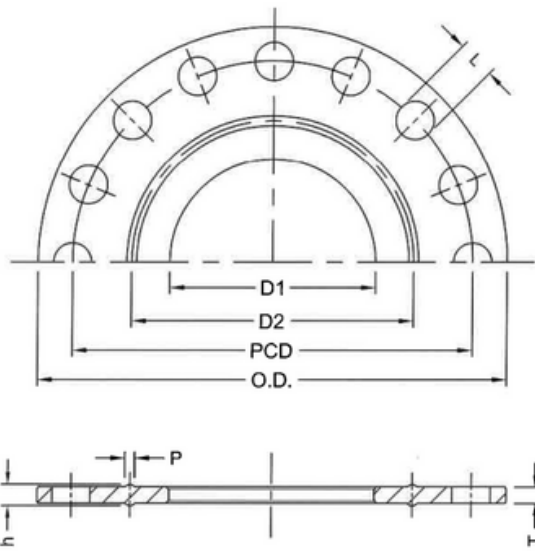
# VZ EPDM Rubber Gasket, PN16



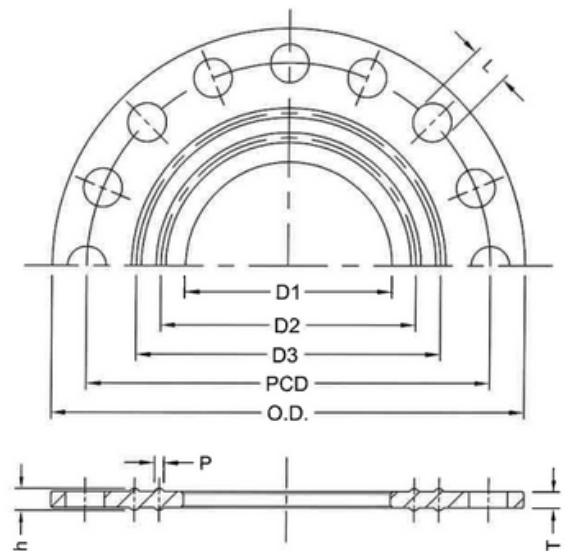
EPDM Rubber Gasket, PN16 (DN 80-900)								
Nominal Size (DN)	D1 (mm)	D2 (mm)	PCD (mm)	D3 (mm)	Bolt Holes		M (mm)	T (mm)
					No.	L (mm)		
80	82	130	160	200	8	19	5.0	2.5
100	102	155	180	220	8	19		
150	152	208	240	285	8	23		
200	202	264	295	340	12	23		
250	252	326	355	400	12	28		
300	303	375	410	455	12	28		
350	353	435	470	520	16	28	5.5	3.0
400	403	480	525	580	16	31		
450	453	548	585	640	20	31	5.5	3.5
500	503	610	650	715	20	33		
600	603	720	770	840	20	37		
700	712	795	840	910	24	37		
800	813	900	950	1025	24	39		
900	915	1003	1050	1125	28	39		

# VZ EPDM Rubber Gasket, PN16

EPDM Rubber Gasket, PN16 (1000-1200)									
Nominal Size (DN)	D1 (mm)	D2 (mm)	PCD (mm)	O.D. (mm)	Bolt Holes		h (mm)	p (mm)	T (mm)
					No.	L (mm)			
1000	1016	1070	1170	1255	28	42	6.3	5.0	5.5
1200	1220	1276	1390	1485	32	48	6.3	5.0	5.5



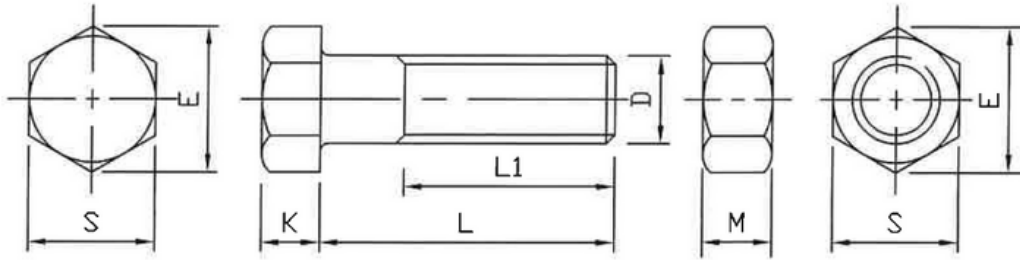
DN1000-1200



DN1400-2200

EPDM Rubber Gasket, PN16 (1400-2200)										
Nominal Size (DN)	D1 (mm)	D2 (mm)	D3 (mm)	PCD (mm)	O.D. (mm)	Bolt Holes		h (mm)	p (mm)	T (mm)
						No.	L (mm)			
1400	1429	1458	1496	1590	1685	36	48	6.3	5.0	5.5
1600	1620	1665	1710	1820	1930	40	56			
1800	1820	1865	1910	2020	2130	44	56			
2000	2020	2066	2112	2230	2345	48	62			
2200	2220	2270	2320	2440	2555	52	62			

# VZ HDG Bolt and Nuts, Grade 4.8



HDG Bolts and Nuts												
Size (Dia x L)	PN16 Flange (DN)	D (mm)		S (mm)		E (mm)	K (mm)		M (mm)		L (mm)	L1 (mm)
		Max	Min	Max	Min	Min	Max	Min	Max	Min		
M16X70	80	16.70	15.30	24.00	23.16	26.17	10.75	9.25	15.90	14.10	70	50
M16X75	80										75	50
M16X80	100										80	50
M20X80	150	20.84	19.16	30.00	29.16	32.95	13.40	11.60	19.00	16.90	80	50
M20X85	150										85	50
M20X90	200										90	55
M20X95	200										95	60
M24X100	250	24.84	23.16	36.00	35.00	39.55	15.90	14.10	22.30	20.20	100	60
M24X105	300										105	65
M27X115	400	27.84	26.16	41.00	40.00	45.20	17.90	16.10	24.70	22.60	115	70
M27X120	400										120	65
M27X130	450										130	75
M30X140	500	30.84	29.16	46.00	45.00	50.85	19.75	17.65	26.40	24.30	140	80
M33X150	600	34.00	32.00	50.00	49.00	55.37	22.05	19.95	29.50	27.40	150	80
M33X170	700										170	100
M36X190	800	37.00	35.00	55.00	53.80	60.79	23.55	21.45	31.90	29.40	190	110
M36X205	900										205	120
M39X220	1000	40.00	38.00	60.00	58.80	66.44	26.05	23.95	34.30	31.80	220	150
M39X230	1000										230	150
M45X250	1200	46.00	44.00	70.00	68.10	76.95	29.05	26.95	36.90	34.40	250	155
M45X290	1200										290	175
M52X350	1600	53.20	50.80	80.00	78.10	88.25	34.25	31.75	42.90	40.40	350	175
M52X360	1800										360	175
M56X400	2000	57.20	54.80	85.00	82.80	93.56	36.25	33.75	45.90	43.40	400	245

# VZ MS Job Reference

## Since 2021

13/WSD/20	Term Contract for Risk-Based Improvement of small Water Mains - Kowloon and New Territories East	Hing Cheong	AECOM
5/WSD/19	Improvement to DongJiang Water Mains P4 at Sheung Shui and Fanling	Ming Hing - Vasteam JV	WSD
2/WSD/21	Term Contract for Risk-Based Improvement of Water Mains - Hong Kong and Islands	Kwan On - Utech JV	Binnies
4/WSD/21	Term Contract for Risk-Based Improvement of Water Mains - Kowloon	Wo Hing	AECOM
5/WSD/21	Term Contract for Risk-Based Improvement of Water Mains - New Territories East	Ming Hing	AECOM
HA20170102	Road Improvement Works at Ma On Shan	Kwan On	HA
SC033C	Sai Sha Road Widening	Sanfield - Gammon JV	AECOM



For Enquiry, please contact  
Vanzon (Sino - Hong Kong) Company Limited  
Tel: 2529 6121/ 2529 6166  
Fax: 2529 6323  
Email: [vz@vanzon.com.hk](mailto:vz@vanzon.com.hk)  
Address: Unit 712, Block B, Po Lung Centre,  
11 Wang Chiu Road, Kowloon Bay, Hong Kong

We are looking forward to your enquiry